

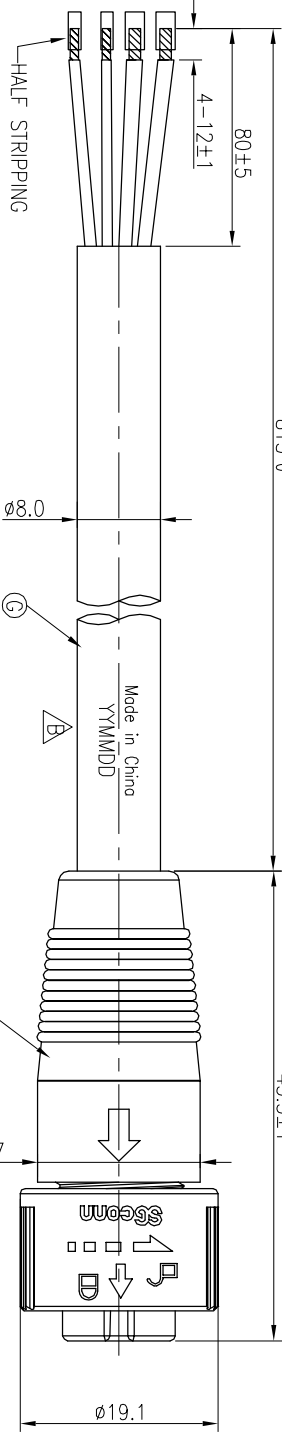
815⁺³⁰₀

45.3±1

Ø19.1

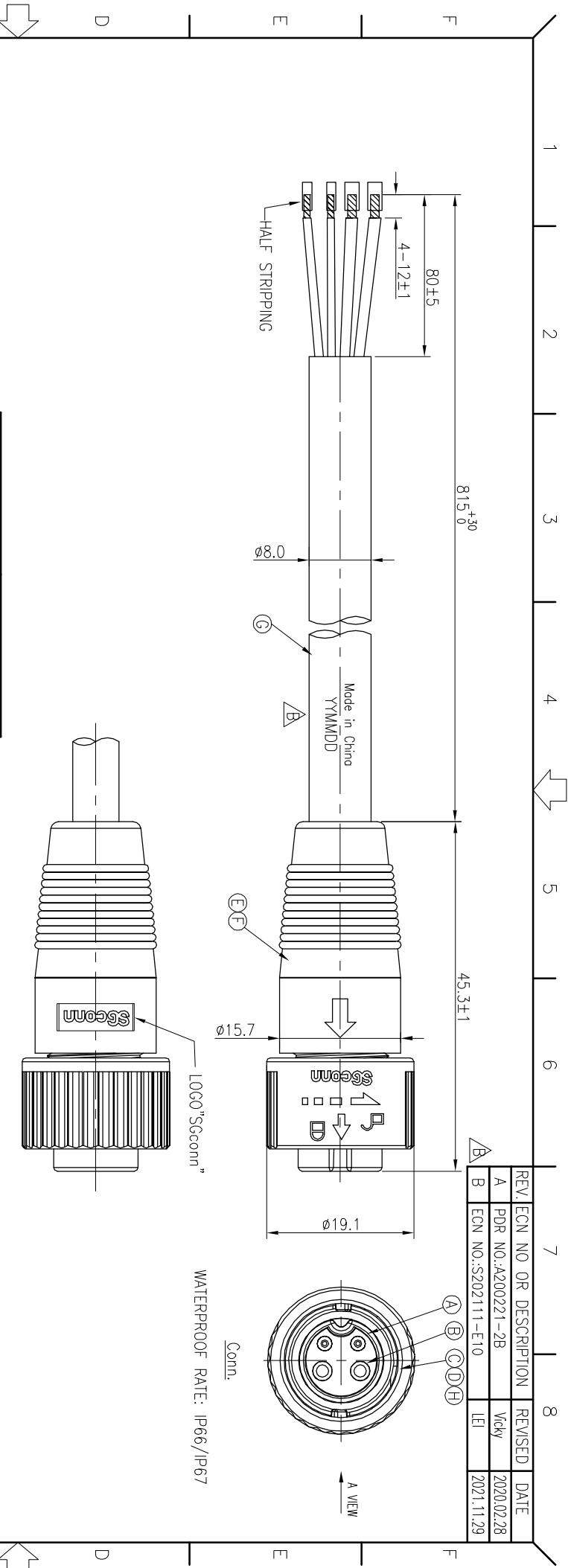
80±5

4-12±1



Conn.

WATERPROOF RATE: IP66/IP67



Pin Assignments
Front View

WHITE(24#)	4
BLACK(14#)	3
RED(14#)	2
YELLOW(24#)	1
WIRE COLOR	CONN.
PIN OUT	

TWIST

CUSTOMER P/N	P/N
D30063098	ZQT3016-W04826H

A VIEW

NOTES:

1. WATERPROOF RATE: IP66/67
2. ELECTRICAL CHARACTERISTICS
TEMPERATURE RANGE: -40° TO +80°
3. SPECIFICATIONS: SEE "QUICK SERIES GENERAL SPEC".
4. TO CONFORM TO ROHS REQUIREMENT AND REACH REGULATION
5. GREEN PRODUCT IDENTIFICATION LABEL ON PACKAGING:
6. NON-HUMAN FACTORS CASE SERVICE LIFE IS 5 YEARS
7. LASE DATE CODE "YYMMDD" ON TOP OF OVER MOLD

DATE CODE: YYMMDD



H	SPRING	1	SUS	N/A
G	CABLE	1	UL2464 14#*2C+ 24#*1P OD8.0	UV RESISTANCE BLACK PVC JACKET
F	INNER MOLD	1	TPEE	NATURAL
E	OVER MOLD	1	PA66-FR370	BLACK
D	O-RING	1	SILICONE	BLUE
C	LOCK NUT	1	PC	GRAY
B	MALE PIN	4	BRASS	1~3u" GOLD PLATING OVER NICKEL PLATING
A	BODY	1	PA66	BLACK
NO	DESCRIPTION	QTY	MATERIAL	PLATING & COLOR
UNLESS OTHERWISE SPECIFIED TOLERANCES				
Suzhou Singatron Auto Electronics CO.,LTD. 蘇州信音汽車電子有限公司				
TITLE: CIRCULAR STANDARD SIZE (QUICK TYPE) FEMALE CONN. MALE (2+2) PIN(10+5)A				
DWN	LEI	PART NO. ZQT3016-W04826H	SCALE 2:1	UNIT: mm
CHKD	JF	SIZE: A3	SHEET: 1 OF 1	REV: B
APVD	JF	CUSTOMER COPY		