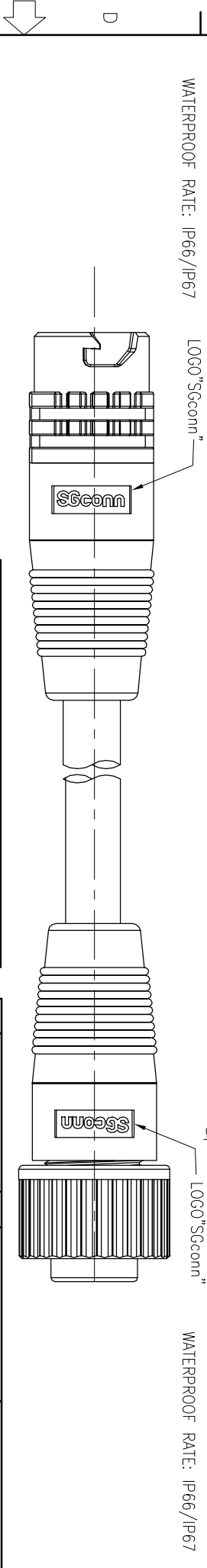
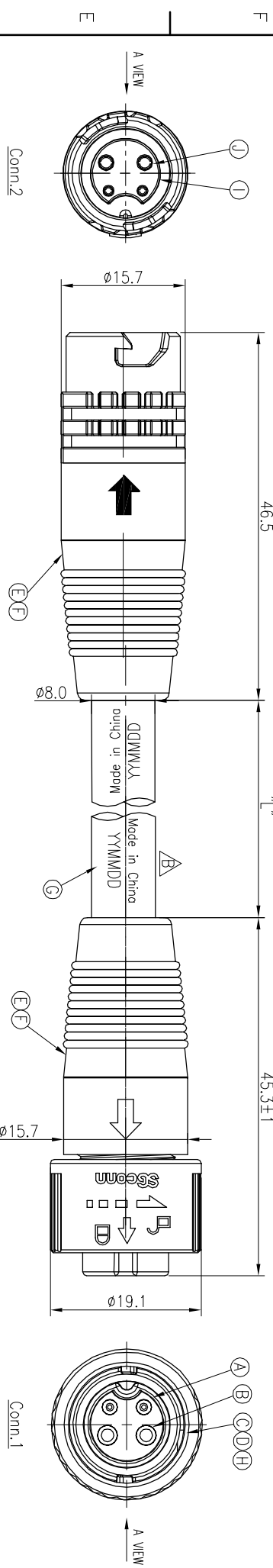


REV. C	ECN NO.:S202109-C01	RZ	2022.03.23	REV. A	ECN NO OR DESCRIPTION	REVISED	DATE
				B	PDR NO.:A200221-1A-E	Ycky	2020.02.24
					ECN NO.:S202111-E10	LEI	2021.12.20

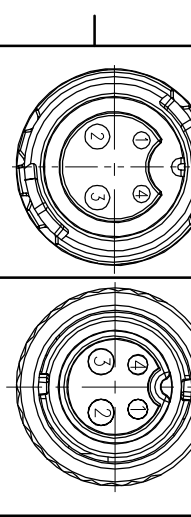


4	BLACK(24AWG)	4
3	BLUE(17AWG)	3
2	BROWN(17AWG)	2
1	WHITE(24AWG)	1

TX P/N	SINGATRON P/N	L(mm)
/	20T3016-W04821H	40000±1000
/	20T3016-W04822H	22000±1000
/	20T3016-W04823H	12900±500
/	20T3016-W04824H	8900±400
/	20T3016-W04825H	4400±200

J	FEMALE PIN	4	Phosphor Bronze	1~3u" GOLD PLATING OVER NICKEL PLATING
I	BODY	1	PA66	BLACK
H	SPRING	1	SUS	N/A
G	CABLE	1	UL21996 17AWG*2C	UV RESISTANCE
F	INNER MOLD	2	24AWG*1P 0D7.2 105°C	BLACK PVC JACKET
E	OVER MOLD	2	TPEE	NATURAL
D	O-RING	1	TPEE	BLACK
C	LOCK NUT	1	SILICONE	BLUE
B	MALE PIN	4	BRASS	1~3u" GOLD PLATING OVER NICKEL PLATING
A	BODY	1	PA66	BLACK

NOTES:  
 1. WATERPROOF RATE: IP66/IP67  
 2. ELECTRICAL CHARACTERISTICS  
 TEMPERATURE RANGE:-40° TO +105°  
 CONTACT RESISTANCE: 0.1 ohm (connector&soldering point)  
 +0.0163 ohm/meter(cable)  
 RATING: 60V AC/DC 10A(PIN2&PIN3) 5A(PIN1&PIN4).  
 TEST CONDITION: DC300V 10Mohm 10ms  
 3. SPECIFICATIONS:SEE "QUICK SERIES GENERAL SPEC".  
 4. TO CONFORM TO ROHS REQUIREMENT AND REACH REGULATION  
 5. GREEN PRODUCT IDENTIFICATION LABEL ON PACKAGING:  
 6. NON-HUMAN FACTORS CASE SERVICE LIFE IS 5 YEARS  
 7. LASE DATE CODE "YYMMDD" ON TOP OF OVER MOLD



PIN OUT  
 CONN. 1  
 CONN. 2

Pin Assignments  
 Front View

DATE CODE: YYMMDD  
 DAY MONTH YEAR

1 2 3 4 5 6 7 8

Suzhou Singatron Auto Electronics CO.,LTD.  
 蘇州信音汽車電子有限公司  
 CIRCULAR STANDARD SIZE (QUICK TYPE)  
 FEMALE CONN. MALE (2+2) PIN(10+5)A  
 PART NO. 2QT3016-W0482XH  
 SCALE 2:1 UNIT: mm  
 SIZE: A3 SHEET: 1 OF 1 REV: C  
 CUSTOMER COPY