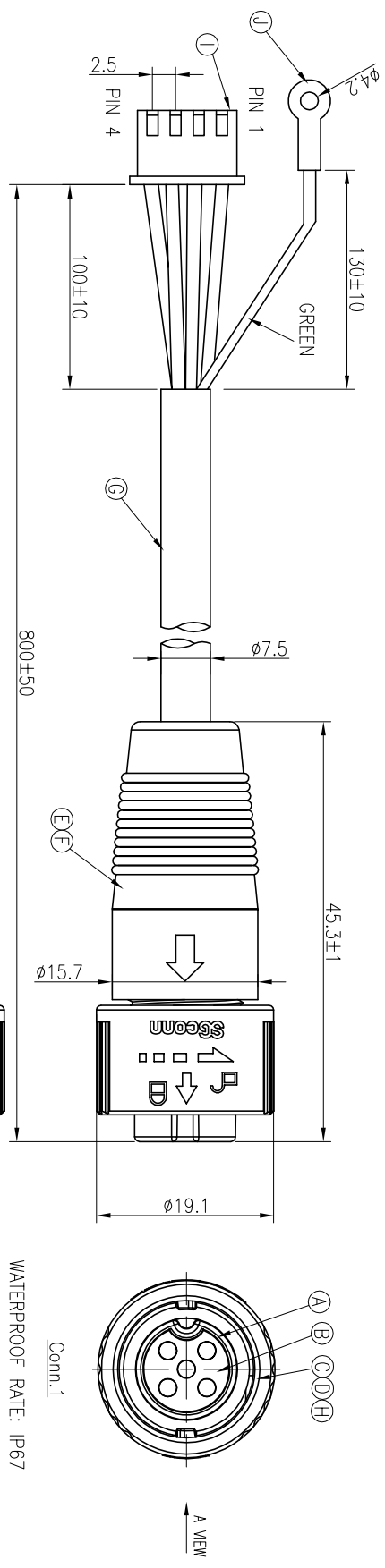
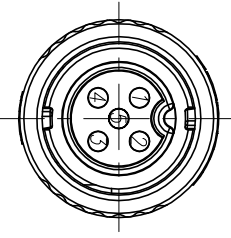


REV.	ECN NO.	OR DESCRIPTION	REVISED	DATE
A	PDR NO.:S161026-6A	Yong	2017.10.11	

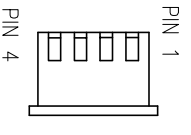


CONN.1	WIRE COLOR	CONN.2
1	GREEN(18AWG)	1
2	YELLOW(24AWG)	2
3	RED(24AWG)	3
4	ORANGE(24AWG)	4
5	BLACK(24AWG)	4

PIN OUT

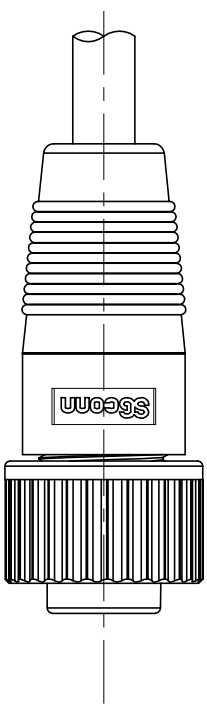


Pin Assignments
Front View

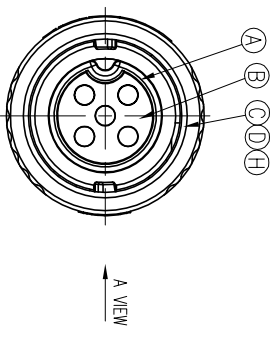


Hotco PN:02.18.834.00

- NOTES:
1. WATERPROOF RATE: IP67
 2. ELECTRICAL CHARACTERISTICS TEMPERATURE RANGE:-40° TO +105°
 3. SPECIFICATIONS:SEE "QUICK SERIES GENERAL SPEC".
 4. TO CONFORM TO ROHS REQUIREMENT AND REACH REGULATION
 5. GREEN PRODUCT IDENTIFICATION LABEL ON PACKAGING:



A VIEW



A VIEW

J	TERMINAL	1	Ø4.2 0.5T UL	N/A
I	CONNECTOR	4	TYU TER:1U5001TFO-A	TIN-PLATED
H	SPRING	1	TYU HSG:1U3001HNO-04	WHITE
G	CABLE	1	SUS	N/A
F	INNER MOLD	1	UL2464 (24AWG*2P+1A) +18AWG*1C+F+AL	BLACK(PVC JACKET)
E	OVER MOLD	1	TPU	NATURAL
D	O-RING	1	TPU	BLACK
C	LOCK NUT	1	PC	BLUE
B	MALE PIN	5	BRASS	GRAY
A	BODY	1	PA66	GOLD PLATING OVER NICKEL PLATING
NO	DESCRIPTION	1	PA66	BLACK

UNLESS OTHERWISE SPECIFIED TOLERANCES

Singatron Enterprise Co., Ltd.
信登企業股份有限公司

CIRCULAR STANDARD SIZE (QUICK TYPE)
FEMALE CONN. MALE 5 PIN SA

TITLE	DECIMALS:	ANGLES:
DWN	:0.5	X :±2°
CHKD	:0.3	X.X :±1°
APVD	:0.2	X.XX :±0.2

PART NO.2QT3016-W05301H

SCALE	UNIT	SHEET	REV
2:1	mm	1 OF 1	REV:A