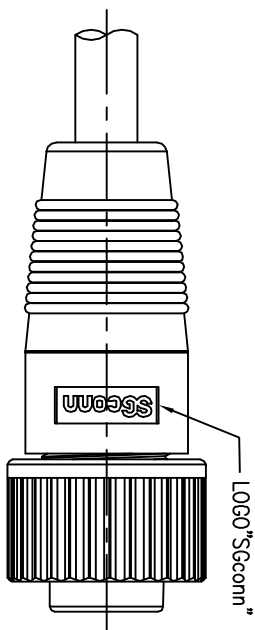
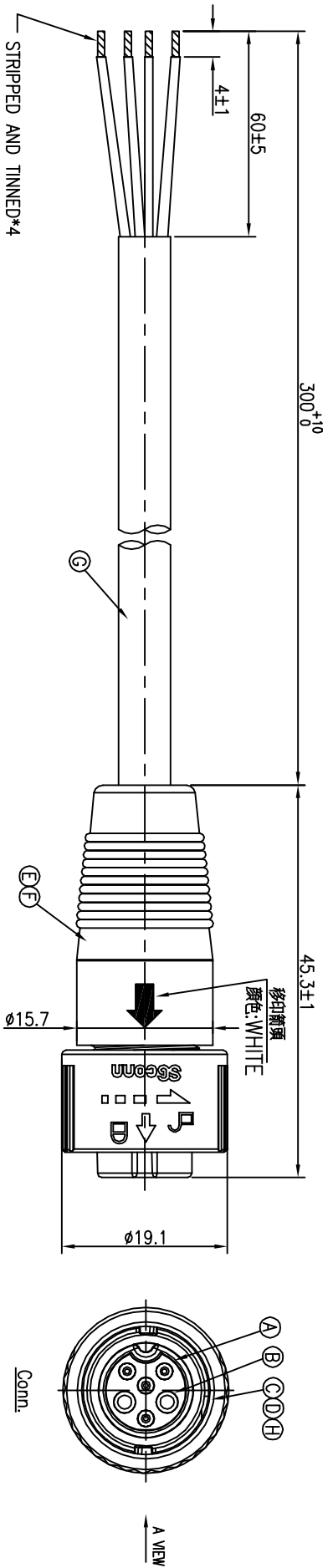
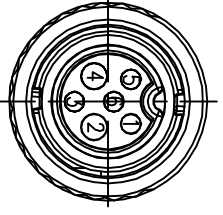


REV.	ECN NO OR DESCRIPTION	REVISED	DATE
A	PDR NO.: A171207-3A	Wcky	2017.12.07



YELLOW	6	SHORT
BLUE	5	SHORT
BLACK	4	SHORT
RED	3	SHORT
	2	SHORT
	1	SHORT



Pin Assignments  
Front View

- NOTES:
- ELECTRICAL CHARACTERISTICS:
    - 1-1 CURRENT RATING: 10+5 AMPS.
    - 1-2 CONTACT RESISTANCE: 3 Ohm Max.
    - 1-3 INSULATION RESISTANCE: 100 Mohm Min. at 500VDC.
    - 1-4 BREAKDOWN VOLTAGE: 1000VAC PER MINUTE.
  - ENVIRONMENTAL:
    - 2-1 OPERATING TEMPERATURE: -40°C TO +80°C.
    - 2-2 SEALING REQUIREMENTS: IP67.
  - OTHER GENERAL SPEC TO REFER "QUICK SERIES GENERAL SPEC".
  - FOR TECHNICAL DATA REFER TO YOUR LOCAL SINGATRON ELECTRONICS SALES OFFICE.
  - ALL DIMENSIONS ARE NOMINAL FOR REFERENCE ONLY UNLESS OTHERWISE STATED.
  - TO CONFORM TO SINGATRON HAZARDOUS SUBSTANCE FREE SPEC.
  - GREEN PRODUCT IDENTIFICATION LABEL ON PACKAGING: **GREEN PASS**

H	SPRING	1	SUS	N/A
G	CABLE	1	20AWG*4C OD:6.6mm (3.10.4634.1.1517) (UV RESISTANT)	BLACK(PVC JACKET)
F	INNER MOLD	1	TPU	NATURAL
E	OVER MOLD	1	TPU	BLACK
D	O-RING	1	SILICONG	BLUE
C	LOCK NUT	1	PC	GRAY
B	MALE PIN	6	BRASS	1~3μ" GOLD PLATING OVER NICKEL PLATING
A	BODY	1	PA66	BLACK

UNLESS OTHERWISE SPECIFIED TOLERANCES		Singatron Enterprise Co., Ltd. 信亨企業股份有限公司	
DECIMALS:	ANGLES:	TITLE CIRCULAR STANDARD SIZE (QUICK TYPE) FEMALE CONN. MALE (2+4) PIN(10+5)A	
X .0 .5	X ±.2	DWN Wcky PART NO. 2QT9016-W06839H	
X.X .±.0.3	X.X .±.1	CHKD JF SCALE 2:1 UNIT: mm	
X.XX .±.0.2		APVD Steve SIZE: A3 SHEET: 1 OF 1 REV: A	
<b>CUSTOMER COPY</b>			