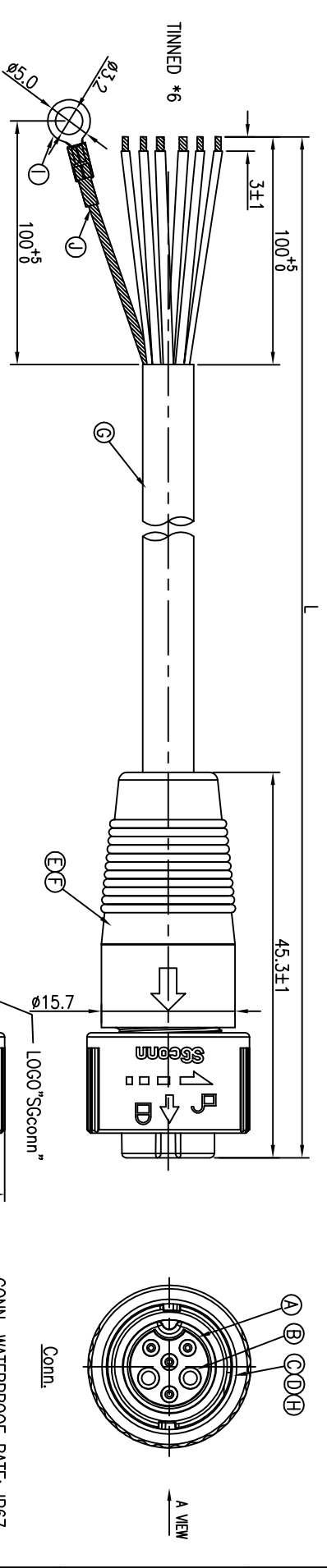
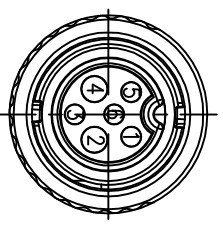


REV.	ECN NO.	OR DESCRIPTION	REVISED	DATE
A	PDR	NO:S170714-11A&11J	Yang	2018.01.02



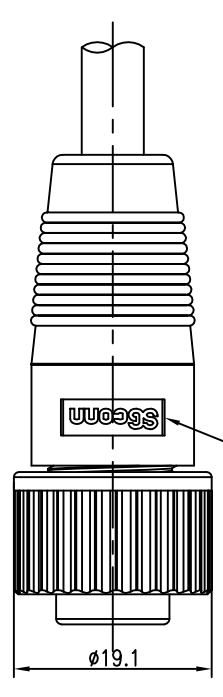
TERMINAL	Drain
GREEN(24#)	6
YELLOW(24#)	5
RED(18#)	4
WHITE(24#)	3
BLACK(18#)	2
BLUE(24#)	1
WIRE COLOR	CONN.
PIN OUT	

Light	Toxon P/N	CUSTOMER P/N	P/N:	L(mm)
	AM094080055	2465mm-R-M	2Q13016-W06818H	1395 ⁺⁵
	AM094060055	2230mm-R-M	2Q13016-W06820H	1500 ⁺⁵
	AM094020055	1988mm-R-M	2Q13016-W06822H	1200 ⁺⁵
	AM094040055	1790mm-R-M	2Q13016-W06824H	1010 ⁺⁵
		900/1213mm-R-M	2Q13016-W06826H	765 ⁺⁵



Pin Assignments
Front View

- NOTES:
1. WATERPROOF RATE: IP67
 2. CURRENT RATING: (10+5)A
 3. SPECIFICATIONS: SEE "CIRCULAR SERIES SPECIFICATIONS".
 4. TO CONFORM TO SINGATRON HAZARDOUS SUBSTANCE FREE SPEC.
 5. GREEN PRODUCT IDENTIFICATION LABEL ON PACKAGING:



J	HEAR SHRINK TUBE	2	300V 125°C	BLACK
I	TERMINAL	1	ID3.2 OD5.0 R TYPE	TINNED
H	SPRING	1	SUS	N/A
G	CABLE	1	UL2464 (24AWG*2P+AL) +18#*2C+F+D+AL OD7.2	GRAY(PVC JACKET) Pontone 424C
F	INNER MOLD	1	TPU	NATURAL
E	OVER MOLD	1	PP	GRAY
D	O-RING	1	SILICONE	BLUE
C	LOCK NUT	1	PC	GRAY
B	MALE PIN	6	BRASS	1~3u" GOLD PLATING OVER NICKEL PLATING
A	BODY	1	PA66	GRAY
NO	DESCRIPTION	QTY	MATERIAL	PLATING & COLOR
UNLESS OTHERWISE SPECIFIED TOLERANCES				
Singatron Enterprise Co., Ltd. 信登企業股份有限公司				
TITLE: CIRCULAR STANDARD SIZE (QUICK TYPE) FEMALE CONN. MALE (2+4) PIN(10+5)A				
DWN	Yang	PART NO.	2QT3016-W06XXXH	
CHKD	JF	SCALE	2:1	UNIT: mm
APVD	Steve	SIZE: A3	SHEET: 1 OF 1	REV: A
CUSTOMER COPY				

1 2 3 4 5 6 7 8