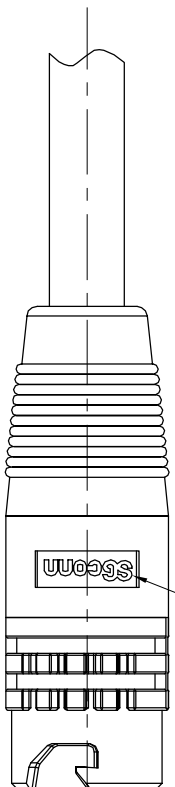
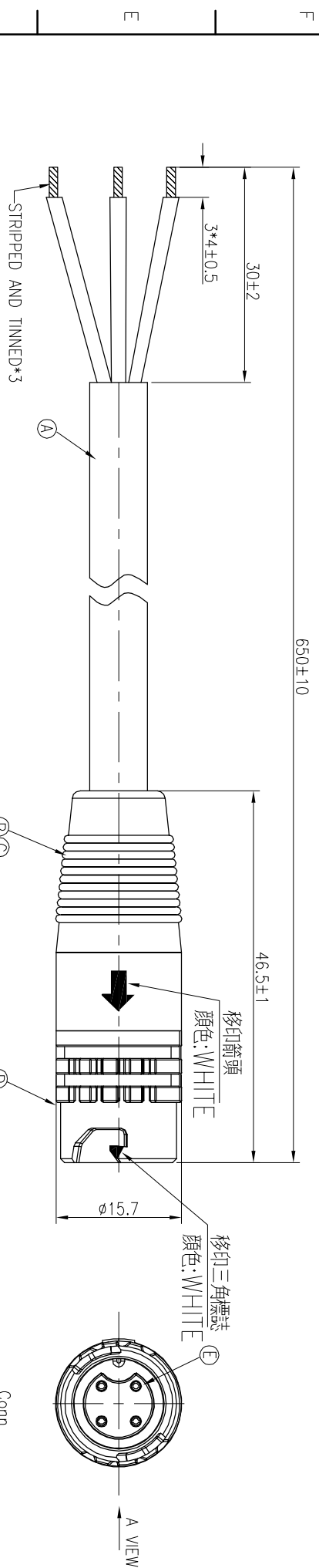
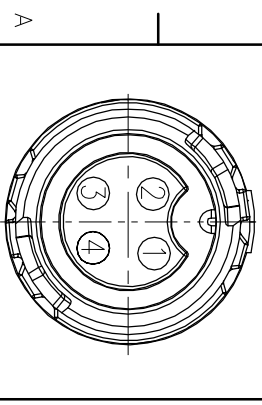


REV.	ECN NO.	OR DESCRIPTION	REVISED	DATE
A	PDR NO.:S170713-9A	Vicky	2017.07.13	



C	4
/	3
ORANGE	2
BLACK	1
WHITE	CONN.
WIRE COLOR	
PIN OUT	
CONN.	



Pin Assignments  
Front View

- NOTES:
- ELECTRICAL CHARACTERISTICS:
    - 1-1 CURRENT RATING: 5 AMPS.
    - 1-2 CONTACT RESISTANCE: 0.5mOhm Max.
    - 1-3 INSULATION RESISTANCE: 100 MOhm Min. at 500VDC.
    - 1-4 BREAKDOWN VOLTAGE: 500VAC PER MINUTE.
  - ENVIRONMENTAL:
    - 2-1 OPERATING TEMPERATURE: -40°C TO +105°C.
    - 2-2 SEALING REQUIREMENTS: IP67.
  - OTHER GENERAL SPEC TO REFER "QUICK SERIES GENERAL SPEC."
  - FOR TECHNICAL DATA REFER TO YOUR LOCAL SINGATRON ELECTRONICS SALES OFFICE.
  - ALL DIMENSIONS ARE NOMINAL FOR REFERENCE ONLY UNLESS OTHERWISE STATED.
  - TO CONFORM TO SINGATRON HAZARDOUS SUBSTANCE FREE SPEC.
  - GREEN PRODUCT IDENTIFICATION LABEL ON PACKAGING: **RoHS PASS**
  - 使用線纜型號及編碼: 華仁 阻燃等級C級 (內芯線和外護套) 使用溫度-35°C-105°C符合ROSE標準 線纜內型: 2517, 外皮PVC內芯交聯聚乙烯 (XLPE) 3\*0.5mm<sup>2</sup> 內芯顏色白 橙 黑, 黑色護套外徑5.8±0.25mm (編碼: 5.13440.027)

E	FEMALE PIN	4	Phosphor Bronze	1~3u" GOLD PLATING OVER NICKEL PLATING
D	BODY	1	PA66	BLACK
C	INNER MOLD	1	TPU	NATURAL
B	OVER MOLD	1	TPU	BLACK
A	CABLE	1	2517 3*0.5mm <sup>2</sup> OD:5.8mm	BLACK PVC JACKET
NO	DESCRIPTION	QTY	MATERIAL	PLATING & COLOR
UNLESS OTHERWISE SPECIFIED TOLERANCES				
Singatron Enterprise Co., Ltd. 信營企業股份有限公司				
TITLE QUICK SERIES STANDARD SIZE MALE CONN/FEMALE 4PIN(SA)				
DECIMALS:	ANGLES:			
X : ±0.5	X : ±2°			
X.X : ±0.3	X.X : ±1°			
X.XX : ±0.2				
APVD	Steve	SIZE: A3	SHEET: 1 OF 1	REV: A

CUSTOMER COPY