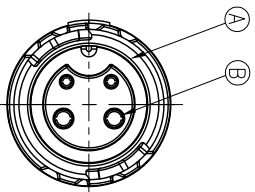
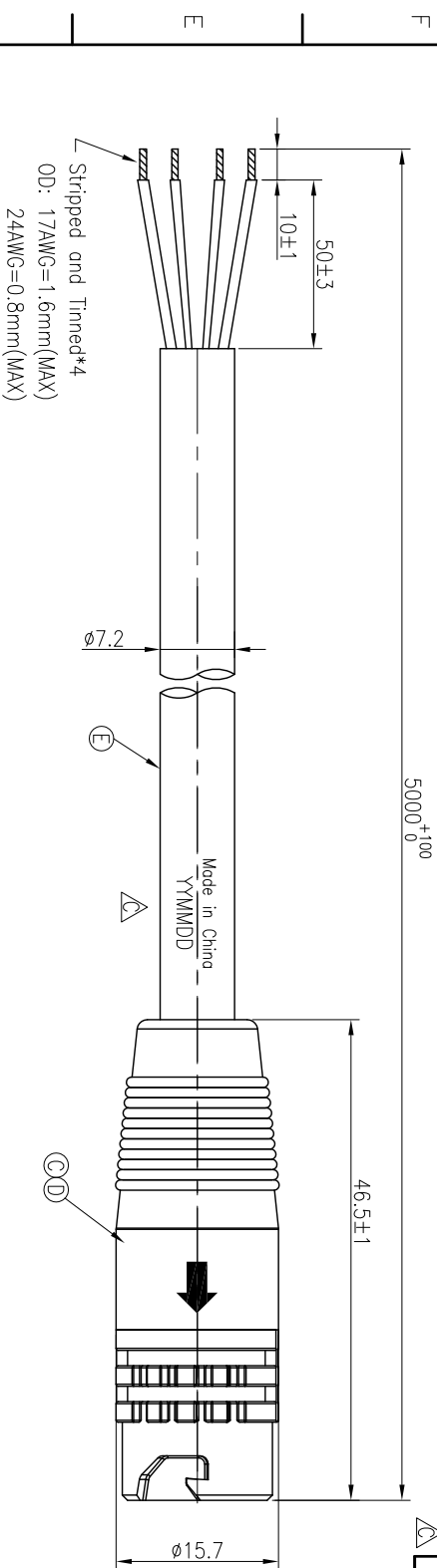


REV.	ECN NO.	OR DESCRIPTION	REVISED	DATE
A	PDR NO.:	S160120-7E	Wcky	2016.01.13
B	ECN NO.:	A180812-C	Wcky	2018.08.15
C	ECN NO.:	S202106-E15	Erod	2021.12.16



Conn.

WATERPROOF RATE: IP66/IP67

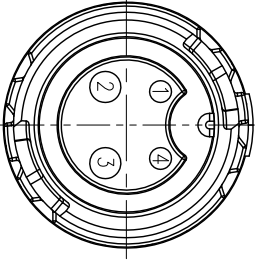
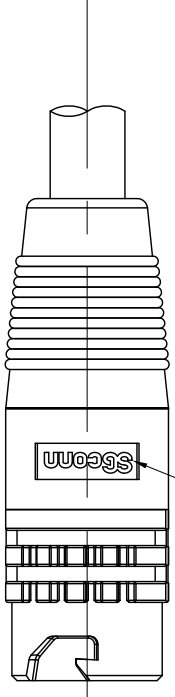
TX P/N	SINGATRON P/N
TU.AC.0600100	ZQT3030-W04809H

BLACK(24#)	4
BLUE(17#)	3
BROWN(17#)	2
WHITE(24#)	1
WIRE COLOR	CONN.
PIN OUT	

NOTES:

1. WATERPROOF RATE: IP66/IP67
2. ELECTRICAL CHARACTERISTICS
TEMPERATURE RANGE: -40° TO +105°
CONTACT RESISTANCE: 0.1 ohm (connector&soldering point)
+0.0163 ohm/meter(cable)
3. SPECIFICATIONS: SEE "QUICK SERIES GENERAL SPEC".
4. TO CONFORM TO ROHS REQUIREMENT AND REACH REGULATION
5. GREEN PRODUCT IDENTIFICATION LABEL ON PACKAGING: **GR PASS**
6. China RoHS, RoHS & REACH COMPLIANCE
7. NON-HUMAN FACTORS CAUSE SERVICE LIFE IS 5 YEARS
8. LAST DATE CODE "YYMMDD" ON TOP OF OVER MOLD

DATE CODE: YYMMDD



Pin Assignments

Front View

NO	DESCRIPTION	QTY	MATERIAL	PLATING & COLOR
E	CABLE	1	UL21996 17#*2C+P+24#*1P(UV) 0.07.2 Sun Res Wei60°C Cable	BLACK (PVC JACKET)
D	INNER MOLD	1	TPEE	NATURAL
C	OVER MOLD	1	TPEE	BLACK
B	FEMALE PIN	4	Phosphor Bronze	1~3u" GOLD PLATING OVER NICKEL PLATING
A	BODY	1	PA66	BLACK

UNLESS OTHERWISE SPECIFIED TOLERANCES

DECIMALS:	ANGLES:
X :±0.5	X :±2°
X.X :±0.3	X.X :±1°
X.XX :±0.2	

Suzhou Singatron Auto Electronics CO.,LTD.
蘇州信音汽車電子有限公司

CIRCULAR STANDARD SIZE (QUICK TYPE)
TITLE MALE CONN. FEMALE (2+2)PIN/10+5/A LOCK TYPE

DWN	Erod	PART NO.:	ZQT3030-W04809H
CHKD	JY	SCALE:	2:1
APVD	JF	SIZE:	A3
		SHEET:	1 OF 1
		REV:	C

CUSTOMER COPY