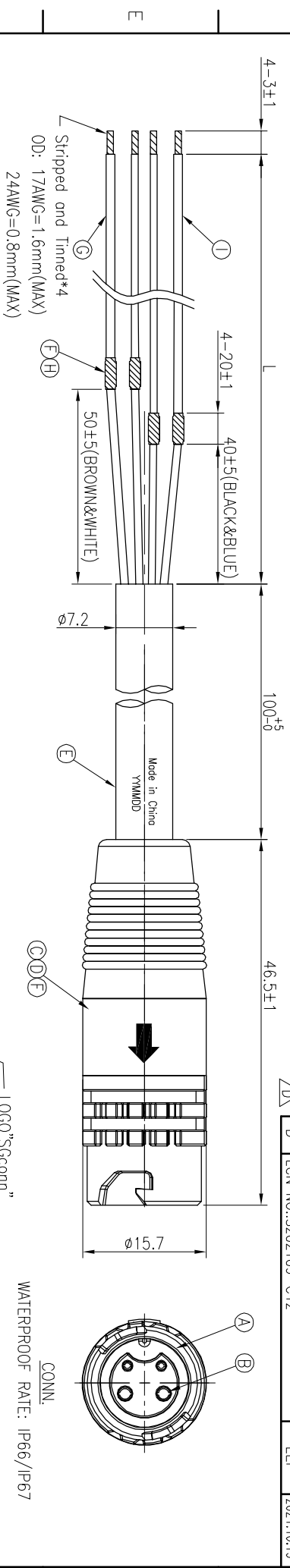
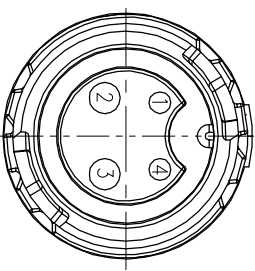


REV.	ECN NO OR DESCRIPTION	REVISED	DATE
A	PDR NO:S151211-3F&S160120-7A~7D	Vicky	2016.02.22
B	ECN NO.:S180310-C	Vicky	2018.03.26
C	ECN NO:A180812-C	Vicky	2018.08.15
D	ECN NO.:S202109-C12	LEI	2021.10.19

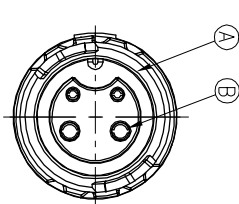
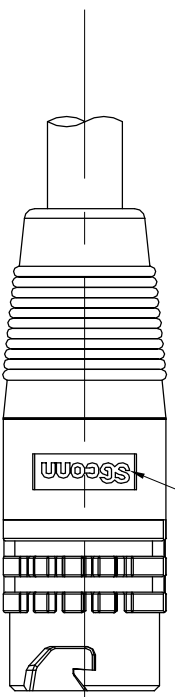


TX P/N	SINGATRON P/N	"L" mm	①②③④⑤⑥⑦⑧⑨⑩⑪⑫⑬⑭⑮⑯⑰⑱⑲⑳㉑㉒㉓㉔㉕㉖㉗㉘㉙㉚㉛㉜㉝㉞㉟㊱㊲㊳㊴㊵㊶㊷㊸㊹㊺
D30028707	ZQT3030-W04801H	150+10/-0mm	NO
D30028708	ZQT3030-W04805H	450+25/-0mm	NO
D30028709	ZQT3030-W04806H	750+45/-0mm	YES
D30028711	ZQT3030-W04807H	1050+55/-0mm	YES
D30028712	ZQT3030-W04808H	1350+75/-0mm	YES

WIRE COLOR	CONN.
BLACK(24#)	4
BLUE(17#)	3
BROWN(17#)	2
WHITE(24#)	1



- NOTES:
1. WATERPROOF RATE: IP66/IP67
  2. RATING: 60V AC/DC 10A(PIN2&PIN3) 5A(PIN1&PIN4).
  3. TEMPERATURE RANGE:-40° TO +105°
  4. TO CONFORM TO ROHS REQUIREMENT AND REACH REGULATION
  5. GREEN PRODUCT IDENTIFICATION LABEL ON PACKAGING:
  6. LASE DATE CODE "YYMDD" ON TOP OF OVER MOLD



NO	DESCRIPTION	QTY	MATERIAL	PLATING & COLOR
I	WIRE	2	UL1430 24AWG	SEE PIN OUT
H	TERMINAL	4	BRASS	TIN PLATED
G	WIRE	2	UL1015 105°C 600V 17AWG VW-1	SEE PIN OUT
F	HEAT SHRINK TUBE	8	N/A	BLACK
E	CABLE	1	UL21996 177#*2C+P+ 24#*1P(UV) 0D7.2 Sun Res Wet60°C Cable	BLACK (PVC JACKET)
D	INNER MOLD	1	TPEE	NATURAL
C	OVER MOLD	1	TPEE	BLACK
B	FEMALE PIN	4	Phosphor Bronze	1~3u" GOLD PLATING OVER NICKEL PLATING
A	BODY	1	PA66	BLACK

DECIMALS:	ANGLES:
X :±0.5	X :±2°
X.X :±0.3	X.X :±1°
X.XX :±0.2	

TITLE	CIRCULAR STANDARD SIZE (QUICK TYPE)
MALE CONN. FEMALE (2+2)PIN(10+5)A LOCK TYPE	
LEI	PART NO. ZQT3030-W0480XH
CHKD	SCALE 2:1 UNIT: mm
APVD	SIZE: A3 SHEET: 1 OF 1 REV: D

Suzhou Singatron Auto Electronics CO.,LTD.  
蘇州信益汽車電子有限公司

CUSTOMER COPY