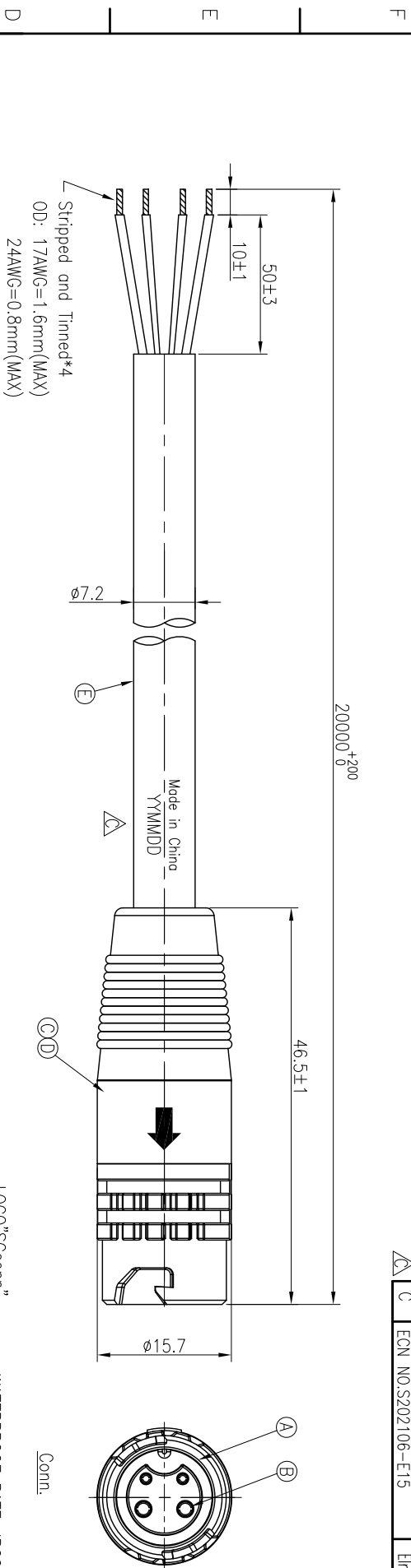
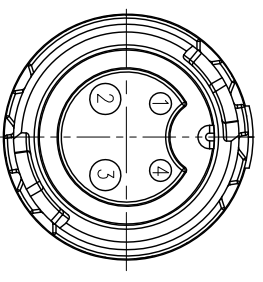


| REV. | ECN NO. | OR DESCRIPTION | REVISED | DATE |
|------|--------------------|----------------|---------|------------|
| A | PDR NO.:S160120-7F | | Vicky | 2016.01.13 |
| B | ECN NO.A180812-C | | Vicky | 2018.08.15 |
| C | ECN NO.S202106-E15 | | Erod | 2021.12.16 |



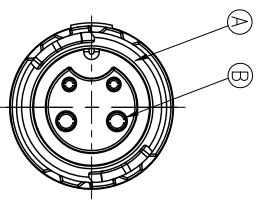
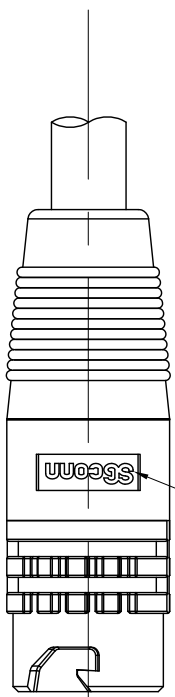
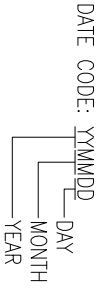
| | |
|---------------|-----------------|
| TX P/N | SINGATRON P/N |
| TU.AC.0600200 | ZQ13030-W04810H |

| | |
|------------|-------|
| BLACK(24#) | 4 |
| BLUE(17#) | 3 |
| BROWN(17#) | 2 |
| WHITE(24#) | 1 |
| WIRE COLOR | CONN. |
| PIN OUT | |



NOTES:

1. WATERPROOF RATE: IP66/IP67
2. ELECTRICAL CHARACTERISTICS
TEMPERATURE RANGE:-40° TO +105°
CONTACT RESISTANCE: 0.1 ohm (connector&soldering point)
+0.0163 ohm/meter(cable)
RATING: 60V AC/DC 10A(PIN2&PIN3) 5A(PIN1&PIN4),
TEST CONDITION: DC300V 10Mohm 10ms
3. SPECIFICATIONS:SEE "QUICK SERIES GENERAL SPEC".
4. TO CONFORM TO ROHS REQUIREMENT AND REACH REGULATION
5. GREEN PRODUCT IDENTIFICATION LABEL ON PACKAGING
6. China RoHS, RoHS & REACH COMPLIANCE
7. NON-HUMAN FACTORS CAUSE SERVICE LIFE IS 5 YEARS
8. LAZE DATE CODE "YYMDD" ON TOP OF OVER MOLD



| NO | DESCRIPTION | QTY | MATERIAL | PLATING & COLOR |
|----|-------------|-----|--|--|
| E | CABLE | 1 | UL21996 17#*2C+P+ 24#*1P(UV) 0D7.2 Sun Res Wei60°C Cable | BLACK (PVC JACKET) |
| D | INNER MOLD | 1 | TPEE | NATURAL |
| C | OVER MOLD | 1 | TPEE | BLACK |
| B | FEMALE PIN | 4 | Phosphor Bronze | 1~3u" GOLD PLATING OVER NICKEL PLATING |
| A | BODY | 1 | PA66 | BLACK |

| | |
|---------------------------------------|----------|
| UNLESS OTHERWISE SPECIFIED TOLERANCES | |
| DECIMALS: | ANGLES: |
| X :±0.5 | X :±2° |
| X.X :±0.3 | X.X :±1° |
| X.XX :±0.2 | |

| | |
|--|---|
| Suzhou Singatron Auto Electronics CO.,LTD. 苏州信言汽车电子有限公司 | |
| CIRCULAR STANDARD SIZE (QUICK TYPE) | |
| TITLE | MALE CONN. FEMALE (2+2)PIN(10+5)A LOCK TYPE |
| DWN | Erod |
| CHKD | JY |
| APVD | JF |
| SCALE 2:1 | |
| SIZE: A3 | |
| SHEET: 1 OF 1 | |
| REV: C | |