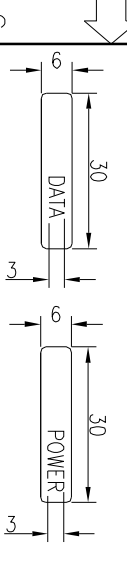
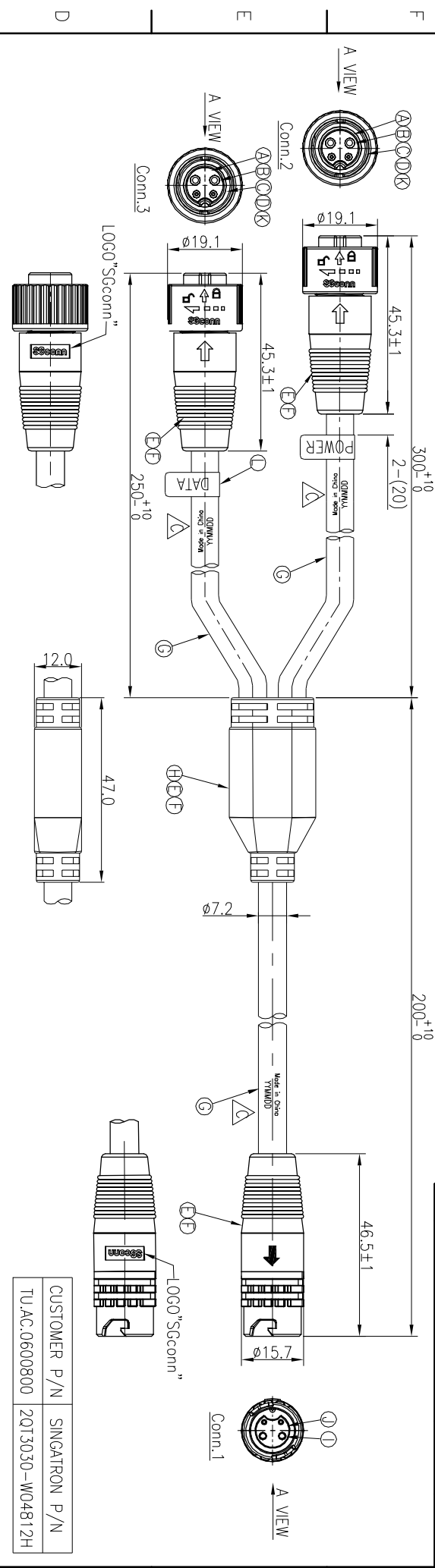
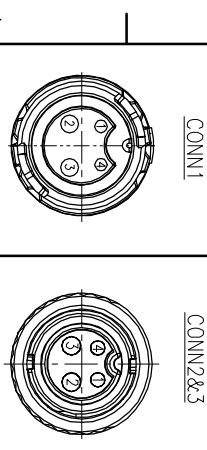


ECN NO. S202111-E10	LEI	2021.11.29	REV. ECN NO. OR DESCRIPTION	REVISED	DATE
A	PDR NO. S160120-7H		Vcky	2015.12.29	
B	ECN NO. A180812-C		Vcky	2018.08.21	



4	BLACK(24#)	/	4
3	BLUE(17#)	3	3
2	BROWN(17#)	2	/
1	WHITE(24#)	/	1
CONN.1		CONN.2	CONN.3
PIN OUT			
CONN1		CONN2&3	



Pin Assignments
Front View

- NOTES:
1. WATERPROOF RATE: IP66/IP67
 2. ELECTRICAL CHARACTERISTICS
TEMPERATURE RANGE: -40° TO +105°
CONTACT RESISTANCE: 0.1 ohm (connector&soldering point)
+0.0163 ohm/meter(cable)
 3. SPECIFICATIONS: SEE "QUICK SERIES GENERAL SPEC".
 4. TO CONFORM TO ROHS REQUIREMENT AND REACH REGULATION
 5. GREEN PRODUCT IDENTIFICATION LABEL ON PACKAGING:
 6. China RoHS, RoHS & REACH COMPLIANCE
 7. NON-HUMAN FACTORS CAUSE SERVICE LIFE IS 5 YEARS
 8. LASE DATE CODE "YYMMDD" ON TOP OF OVER MOLD
- DATE CODE: YYMMDD
- DAY
MONTH
YEAR

CUSTOMER P/N	SINGATRON P/N
TU.AC.0600800	20T3030-W04812H

L	LABEL	2	P/N: 4DW3007-000002	WHITE
K	SPRING	2	SUS	N/A
J	FEMALE PIN	4	Phosphor Bronze	1~3u" GOLD PLATING OVER NICKEL PLATING
I	BODY	1	PA66	BLACK
H	ACETATE CLOTH	1	W:18, T:0.18	BLACK
G	CABLE	3	UL21996 17#*2C+P+ 24#*1P(UV) 0D7.2 Sun Res Wei60°C Cable	BLACK (PU JACKET)
F	INNER MOLD	4	TPEE	NATURAL
E	OVER MOLD	4	TPEE	BLACK
D	O-RING	2	SILICONE	BLUE
C	LOCK NUT	2	PC	GRAY
B	MALE PIN	8	BRASS	1~3u" GOLD PLATING OVER NICKEL PLATING
A	BODY	2	PA66	BLACK
NO	DESCRIPTION	QTY	MATERIAL	PLATING & COLOR
UNLESS OTHERWISE SPECIFIED TOLERANCES				
Suzhou Singatron Auto Electronics CO.,LTD. 苏州信音汽车电子有限公司				
TITLE: CIRCULAR STANDARD SIZE (QUICK TYPE) MALE CONN. FEMALE (2+2) PIN(10+5)A				
DECIMALS:	ANGLES:			
X : ±0.5	X : ±2'			
X.X : ±0.3	X.X : ±1'			
X.XX : ±0.2				
PART NO. 2QT3030-W04812H				
CHKD	JF	SCALE 2:1	UNIT: mm	REV: C
APVD	JF	SIZE: A3	SHEET: 1 OF 1	REV: C
CUSTOMER COPY				