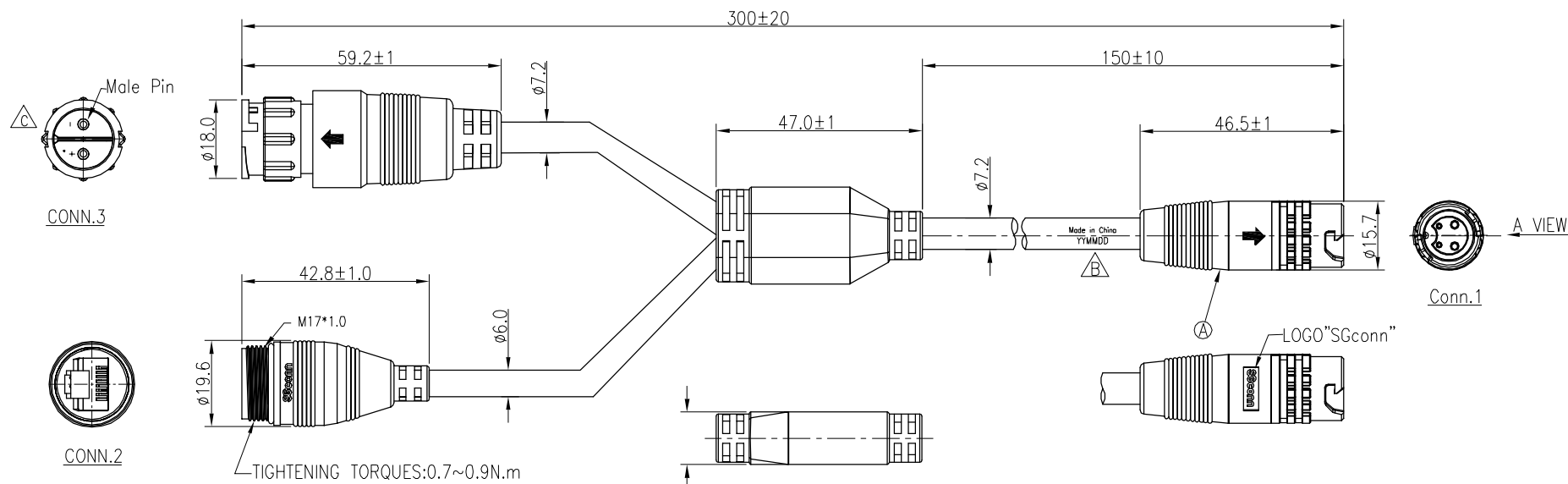
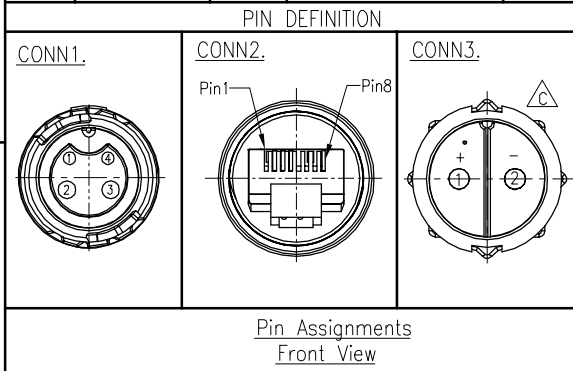


REV.	ECN NO OR DESCRIPTION	REVISED	DATE
A	PDR NO.:S160120-7J	Vicky	2015.12.29
B	ECN NO.:S202100-E10	LEI	2021.12.25
C	ECN NO.:S202305-C06	JAY	2023.05.18

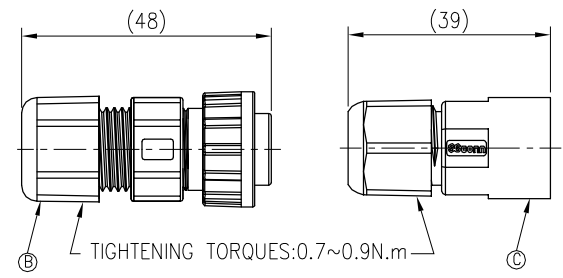


4	BLACK(24#)	2	ORANGE(DMX+)	N/A	
3	BLUE(17#)	3	GREEN/WHITE(GND)	2	
2	BROWN(17#)	N/A	1	BROWN	
1	WHITE(24#)	1	ORANGE/WHITE(DMX-)	N/A	
CONN.1	WIRE COLOR	CONN.2	WIRE COLOR	CONN.3	WIRE COLOR

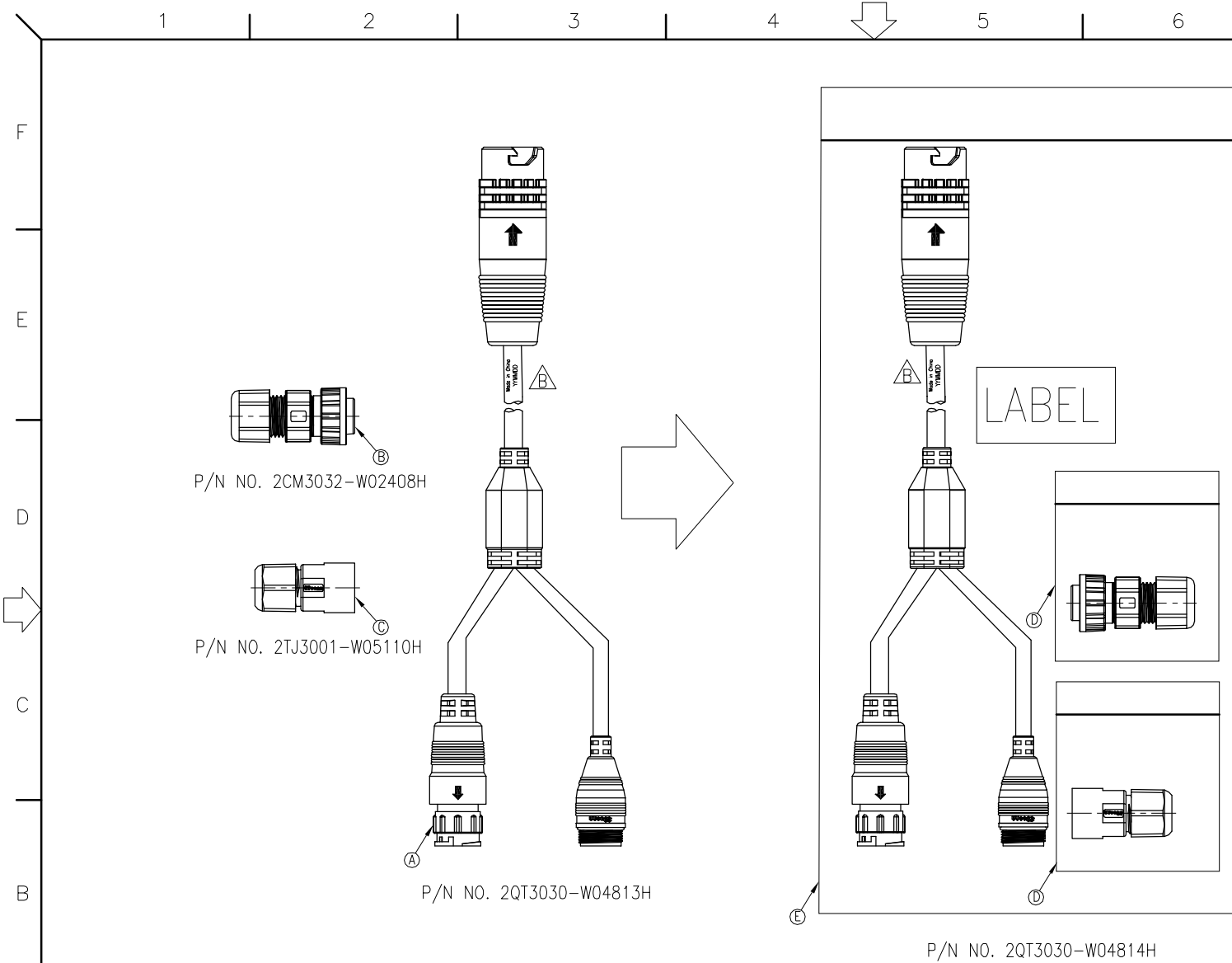


CUSTOMER P/N	SINGATRON P/N
TU.AC.0600400	2QT3030-W04814H

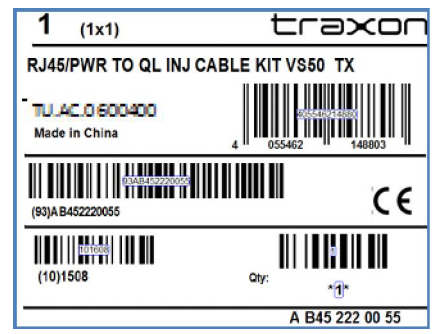
Note:
DETAIL SPEC. TO REFER "CONN. (A) (B) (C) DRAWING"



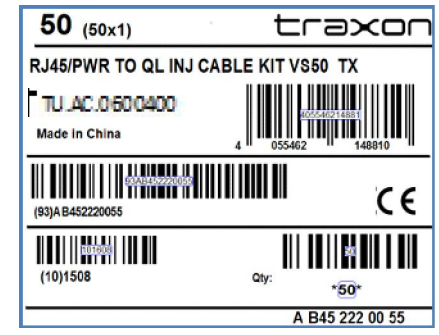
C	CONN.	1	2TJ3001-W05110H	N/A
B	CONN.	1	2CM3032-W02408H	N/A
A	CONN.	1	2QT3030-W04813H	N/A
NO	DESCRIPTION	QTY	MATERIAL	PLATING & COLOR
UNLESS OTHERWISE SPECIFIED TOLERANCES			Suzhou Singatron Auto Electronics CO.,LTD. 蘇州信音汽車電子有限公司	
DECIMALS:		ANGLES:		TITLE
X	:±0.5	X	:±2°	CIRCULAR STANDARD SIZE (QUICK TYPE)
X.X	:±0.3	X.X	:±1°	MALE CONN. FEMALE (2+2) PIN(10+5)A
X.XX	:±0.2			DWN JAY PART NO. 2QT3030-W04814H
				CHKD MF SCALE 1:1 UNIT: mm
				APVD JF SIZE: A3 SHEET: 1 OF 2 REV: C
CUSTOMER COPY				



REV.	ECN NO OR DESCRIPTION	REVISED	DATE
A	PDR NO.:S160120-7J	Vicky	2015.04.02
B	ECN NO.:S202100-E10	LEI	2021.12.25
C	ECN NO.:S202305-C06	JAY	2023.05.18



自封袋LABEL内容



外包装箱LABEL内容

			CUSTOMER P/N	SINGATRON P/N
E	自封袋	1	340*120(L*W)	N/A
D	自封袋	2	90*60(L*W)	N/A
C	CONN.	1	2TJ3001-W05112H	N/A
B	CONN.	1	2CM3032-W02408H	N/A
A	CONN.	1	2QT3030-W04813H	N/A
NO	DESCRIPTION	QTY	MATERIAL	PLATING & COLOR

UNLESS OTHERWISE SPECIFIED TOLERANCES
 DECIMALS: ANGLES:
 X :±0.5 X :±2°
 X.X :±0.3 X.X :±1°
 X.XX :±0.2

Suzhou Singatron Auto Electronics CO.,LTD. 蘇州信音汽車電子有限公司			
TITLE	CIRCULAR STANDARD SIZE (QUICK TYPE) MALE CONN. FEMALE (2+2) PIN(10+5)A		
DWN	JAY	PART NO.2QT3030-W04814H	
CHKD	MF	SCALE 1:1	UNIT: mm
APVD	JF	SIZE: A3	SHEET:2 OF 2 REV: C
CUSTOMER COPY			