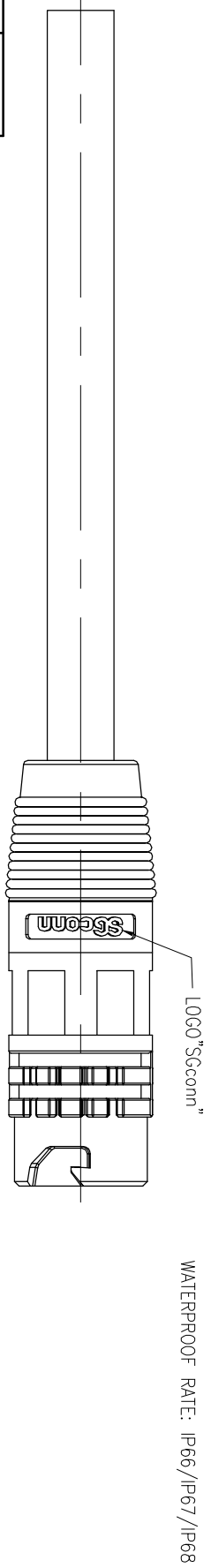
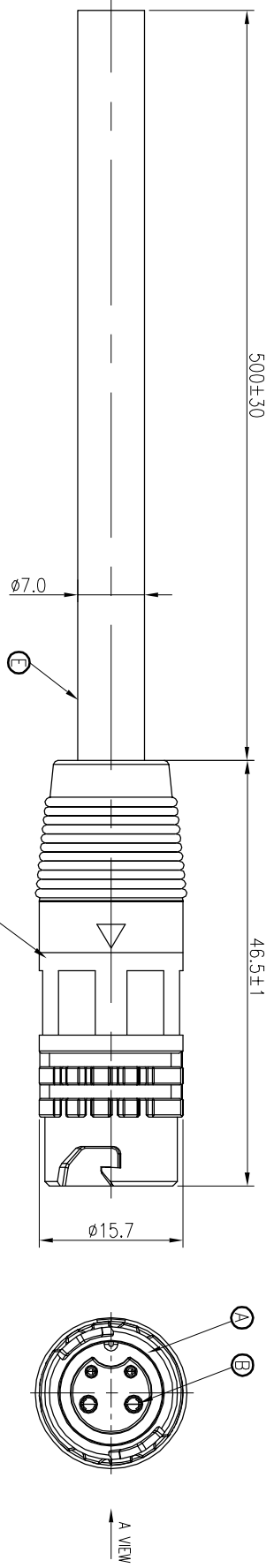
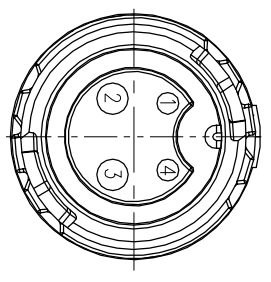


REV.	ECN NO OR DESCRIPTION	REVISED	DATE
A	PDR NO:A171101-3A	Yong	2018.01.23



ORANGE(26#)	4
RED(16#)	3
BLACK(16#)	2
BROWN(26#)	1
WIRE COLOR	CONN.
PIN OUT	



Pin Assignments
Front View

- NOTES:
1. WATERPROOF RATE: IP66/IP67/IP68
 2. ELECTRICAL CHARACTERISTICS
TEMPERATURE RANGE:-40° TO +105°
RATING: 60V AC/DC 10A(PIN2&PIN3) 5A(PIN1&PIN4).
TEST CONDITION: DC300V 10Mohm 10ms
 3. SPECIFICATIONS:SEE "QUICK SERIES GENERAL SPEC".
 4. TO CONFORM TO ROHS REQUIREMENT AND REACH REGULATION
 5. GREEN PRODUCT IDENTIFICATION LABEL ON PACKAGING:
 6. NON-HUMAN FACTORS CASE SERVICE LIFE IS 5 YEARS



F	LIQUIDED GLUE	1	N/A		BLACK
E	CABLE	1	UL2464 (26AWG*1P+AL) +16AWG*2C+F+AL OD 7.2		BLACK (PVC JACKET)
D	CLAMP RING	1	PA66		BLACK
C	OVER MOLD	1	PP		BLACK
B	FEMALE PIN	4	Phosphor Bronze		1~3u" GOLD PLATING OVER NICKEL PLATING
A	BODY	1	PA66		BLACK
NO	DESCRIPTION	QTY	MATERIAL		PLATING & COLOR
			Singatron Enterprise Co., Ltd. 信善企業股份有限公司		
UNLESS OTHERWISE SPECIFIED TOLERANCES					
DECIMALS:		ANGLES:			
X	:±0.5	X	:±2°		
X.X	:±0.3	X.X	:±1°		
X.XX	:±0.2				
TITLE			CIRCULAR STANDARD SIZE (QUICK TYPE)		
DWN	Yong	PART NO.2QT3030-W04820H		MALE CONN. FEMALE (2+2)PIN(10+5)A LOCK TYPE	
CHKD	JF	SCALE	2:1	UNIT:	mm
APVD	Steve	SIZE:	A3	SHEET:	1 OF 1
REVISION: A					

CUSTOMER COPY