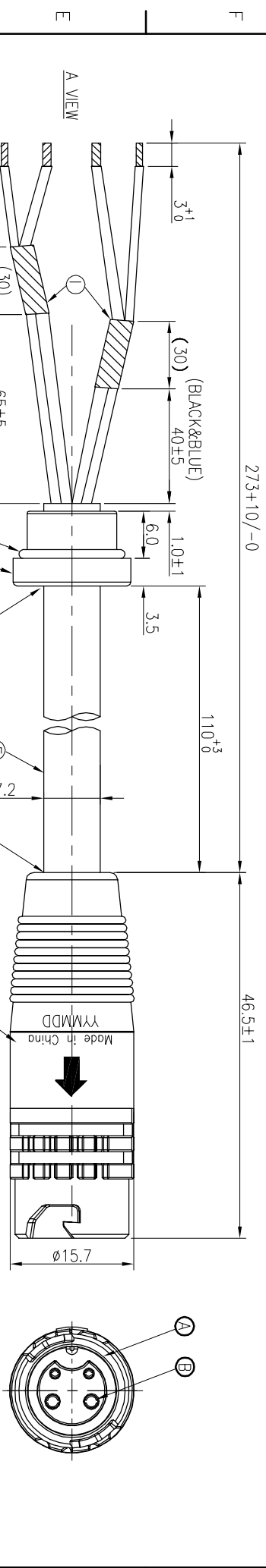
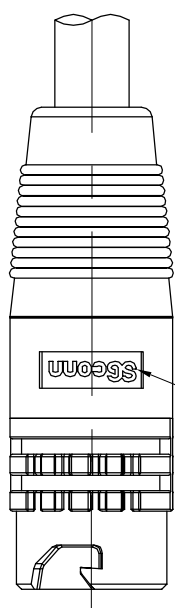
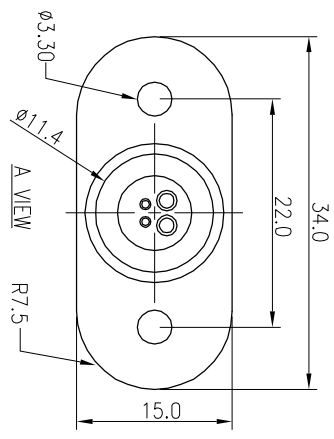


REV.	ECN NO.	OR DESCRIPTION	REVISED	DATE
A	PDR NO.:A180426-3B	Vicky	2018.05.03	



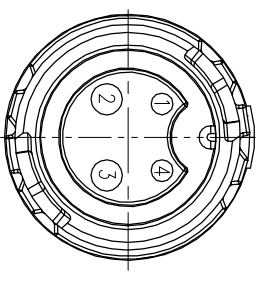
DMAT NO.	SINGATRON NO.
D30044677	2013030-W04830H



WATERPROOF RATE: IP66/IP67

BLACK(24#)	4
BLUE(17#)	3
BROWN(17#)	2
WHITE(24#)	1
WIRE COLOR	CONN.

PIN OUT



NOTES:

1. WATERPROOF RATE: IP66/67
2. ELECTRICAL CHARACTERISTICS
TEMPERATURE RANGE:-40° TO +105°C
RATING: 60V AC/DC 10A(PIN1&PIN3) 5A(PIN1&PIN4),
TEST CONDITION: DC300V 10Mohm 10ms
3. PULL FORCE TEST:60N min.
4. SPECIFICATIONS:SEE "QUICK SERIES GENERAL SPEC".
5. TO CONFORM TO ROHS REQUIREMENT AND REACH REGULATION
6. GREEN PRODUCT IDENTIFICATION LABEL ON PACKAGING: **SG-PA66**
7. NON-HUMAN FACTORS CAUSE SERVICE LIFE IS 5 YEARS
8. LASE DATE CODE "YYMMDD" ON TOP OF OVER MOLD

DATE CODE: YYMMDD

Pin Assignments
Front View

I	HEAT SHRINK TUBE	2	φ5.0 300V	BLACK
H	HEAT SHRINK TUBE	2	φ3.0 300V	BLACK
G	HEAT SHRINK TUBE	2	φ2.5 300V	BLACK
F	O-RING	1	SILICONE	BLUE
E	CABLE	1	UL21996 17#*2C+P+P+ 24#*1P(UV) 0D7.2 Sun Res Wet60°C Cable	BLACK (PVC JACKET)
D	INNER MOLD	1	TPEE	NATURAL
C	OVER MOLD	2	TPEE	BLACK
B	FEMALE PIN	4	Phosphor Bronze	1~3u" GOLD PLATING OVER NICKEL PLATING
A	BODY	1	PA66	BLACK
NO	DESCRIPTION	QTY	MATERIAL	PLATING & COLOR

UNLESS OTHERWISE SPECIFIED TOLERANCES

Singatron Enterprise Co., Ltd.
信亨企業股份有限公司

CIRCULAR STANDARD SIZE (QUICK TYPE)
TITLE MALE CONN. FEMALE (2+2)PIN(10+5)A LOCK TYPE
DWN Vicky PART NO.2QT3030-W04830H
CHKD JF SCALE 2:1 UNIT: mm
APVD William SIZE: A3 SHEET: 1 OF 1 REV: A

CUSTOMER COPY