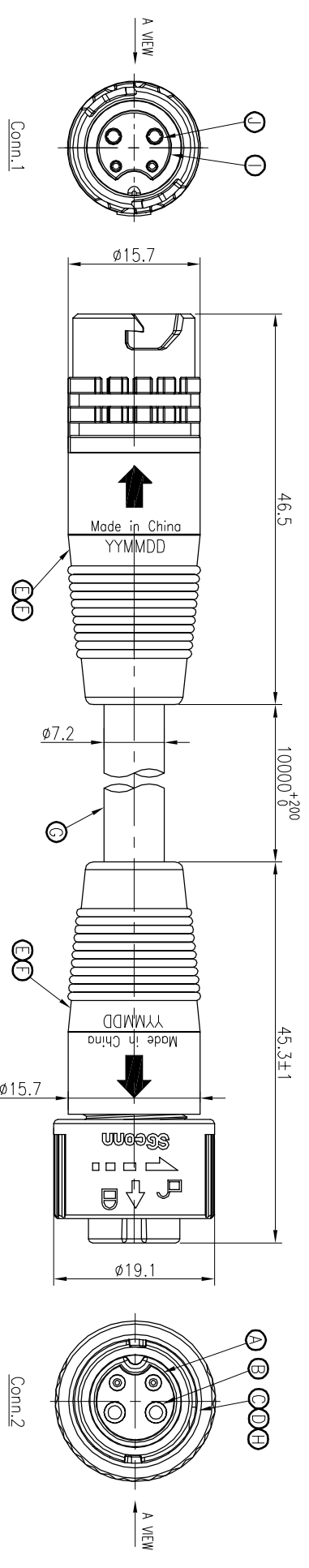


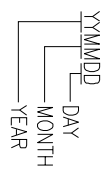
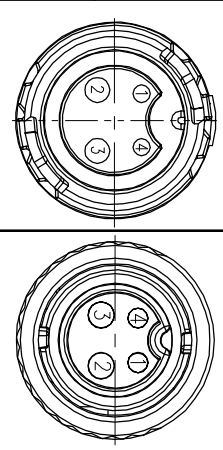
REV	ECN NO	OR DESCRIPTION	REVISED	DATE
A	PDR NO.:A180628-1A	Vicky	2018.01.09	



4	BLACK(24#)	4
3	BLUE(17#)	3
2	BROWN(17#)	2
1	WHITE(24#)	1
CONN.1 WIRE COLOR		CONN.2
PIN OUT		
CONN.1		CONN.2

- NOTES:
1. WATERPROOF RATE: IP66/IP67
  2. ELECTRICAL CHARACTERISTICS  
TEMPERATURE RANGE: -40° TO +105°  
CONTACT RESISTANCE: 0.1 ohm (connector&soldering point)  
+0.0163 ohm/meter(cable)
  3. SPECIFICATIONS: SEE "QUICK SERIES GENERAL SPEC."
  4. TO CONFORM TO ROHS REQUIREMENT AND REACH REGULATION
  5. GREEN PRODUCT IDENTIFICATION LABEL ON PACKAGING:
  6. NON-HUMAN FACTORS CASE SERVICE LIFE IS 5 YEARS
  7. LASE DATE CODE "YYMMDD" ON TOP OF OVER MOLD

Pin Assignments  
Front View



J	I	H	G	F	E	D	C	B	A	NO	DESCRIPTION	QTY	MATERIAL	PLATING & COLOR
FEMALE PIN	BODY	SPRING	CABLE	INNER MOLD	OVER MOLD	O-RING	LOCK NUT	MALE PIN	BODY		UNLESS OTHERWISE SPECIFIED TOLERANCES			
4	1	1	1	2	2	1	1	4	1					
Phosphor Bronze	PA66+25%GF	SUS	UL21996-17#*2C+P+ Sun Res Wet60°C Cable	TPEE	TPEE	SILICONE(SHORE A 30°)	PC 9330	HBI59-1.5B G2	PA66+25%GF					
1~3u" GOLD PLATING OVER NICKEL PLATING	BLACK	N/A	BLACK(PVC JACKET)	NATURAL	BLACK	BLUE	GRAY	1~3u" GOLD PLATING OVER NICKEL PLATING	BLACK					

Singatron Enterprise Co., Ltd.  
信登企業股份有限公司

CIRCULAR STANDARD SIZE (QUICK TYPE)  
MALE CONN. FEMALE (2+2) PIN(10+5)A

PART NO. 2QT3030-W04833H

SCALE 2:1 UNIT: mm

SHEET: 1 OF 1 REV: A

CUSTOMER COPY