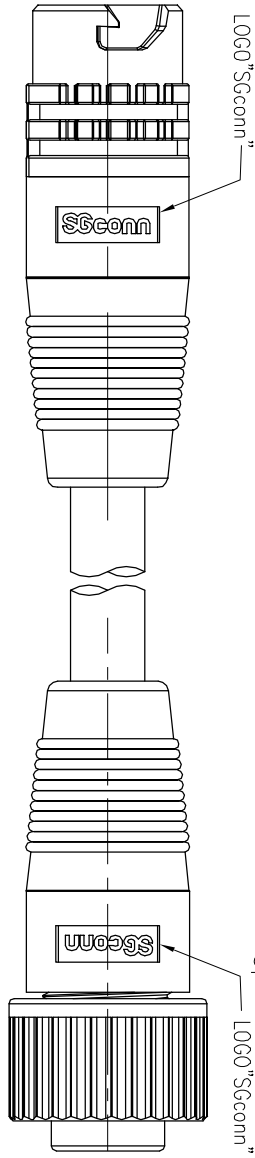
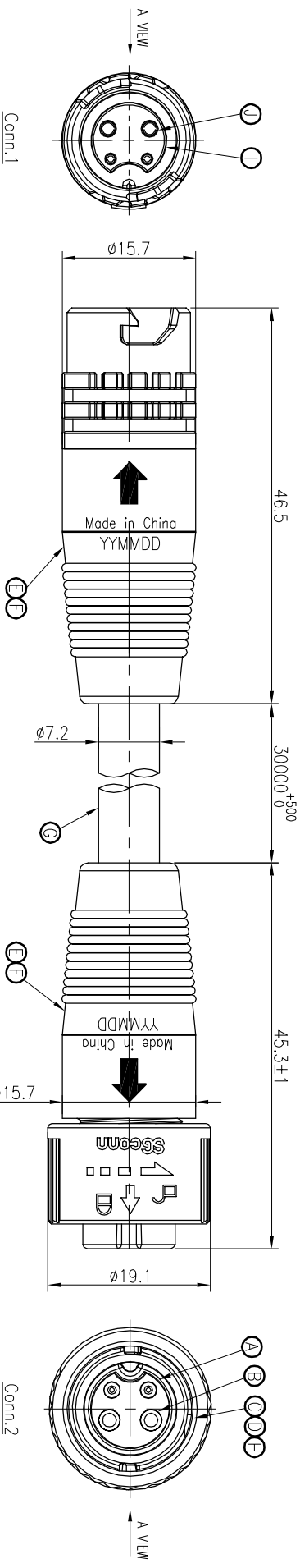
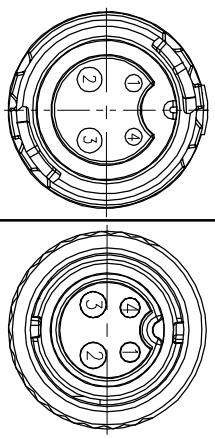


REV.	ECN NO.	OR DESCRIPTION	REVISED	DATE
A	PDR NO.:	A180628-1B	Vicky	2019.01.09

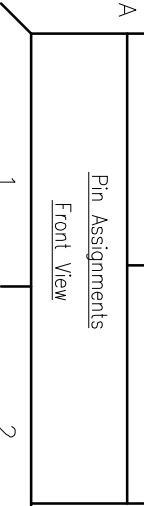


4	BLACK(24#)	4
3	BLUE(17#)	3
2	BROWN(17#)	2
1	WHITE(24#)	1
CONN.1 WIRE COLOR		CONN.2
PIN OUT		CONN.2



- NOTES:
1. WATERPROOF RATE: IP66/IP67
 2. ELECTRICAL CHARACTERISTICS
 3. TEMPERATURE RANGE: -40° TO +105°
 4. CONTACT RESISTANCE: 0.1 ohm (connector&soldering point)
+0.0163 ohm/(meter/cable)
 5. RATING: 60V AC/DC 10A(PIN2&PIN3) 5A(PIN1&PIN4),
TEST CONDITION: DC300V 10Mohm 10ms
 6. SPECIFICATIONS:SEE "QUICK SERIES GENERAL SPEC."
 7. TO CONFORM TO ROHS REQUIREMENT AND REACH REGULATION
 8. GREEN PRODUCT IDENTIFICATION LABEL ON PACKAGING:
 9. NON-HUMAN FACTORS CASE SERVICE LIFE IS 5 YEARS
 10. LAZE DATE CODE "YYMMDD" ON TOP OF OVER MOLD

Pin Assignments
Front View



J	FEMALE PIN	4	Phosphor Bronze	1~3u" GOLD PLATING OVER NICKEL PLATING
I	BODY	1	PA66+25%GF	BLACK
H	SPRING	1	SUS	N/A
G	CABLE	1	UL21996 17#*2C+P+ 24#*1P(UV) 0D7.2 Sun Res Wet60°C Cable	BLACK(PVC JACKET)
F	INNER MOLD	2	TPU(95A)	NATURAL
E	OVER MOLD	2	TPE	BLACK
D	O-RING	1	SILICONE(SHORE A 30°)	BLUE
C	LOCK NUT	1	PC 9330	GRAY
B	MALE PIN	4	HBI59-1.5B G2	1~3u" GOLD PLATING OVER NICKEL PLATING
A	BODY	1	PA66+25%GF	BLACK
UNLESS OTHERWISE SPECIFIED TOLERANCES		Singatron Enterprise Co., Ltd. 		
DECIMALS:		ANGLES:		
X	:±0.5	X	:±2°	
X.X	:±0.3	X.X	:±1°	
X.XX	:±0.2			
TITLE		CIRCULAR STANDARD SIZE (QUICK TYPE)		
DWN		Vicky		
CHKD		JF		
APVD		William		
PART NO.:		2QT3030-W04836H		
SCALE:		2:1		
SIZE:		A3		
SHEET:		1 OF 1		
REV:		A		
CUSTOMER COPY				