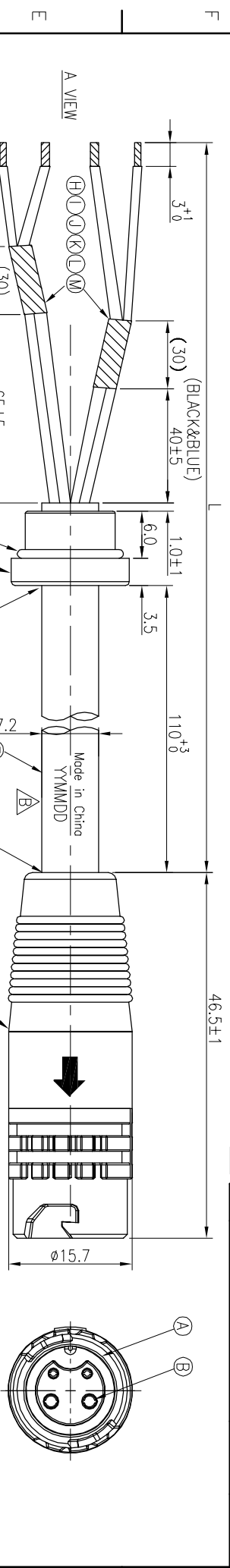
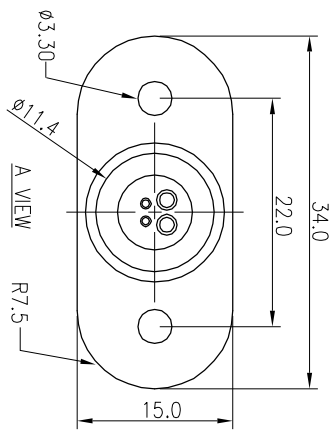


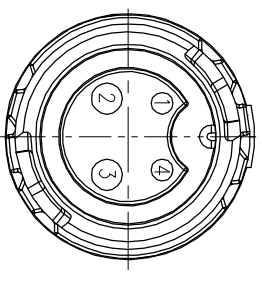
REV	ECN NO	OR DESCRIPTION	REVISED	DATE
A	PDR NO.:A180426-3C~3F	Vcky	2018.05.03	
B	ECN NO.:S202111-E10	LEI	2021.12.22	



DMAT NO.	SINGATRON NO.	L
D30044678	20T3030-W04831H	573+25/-0
D30044679	20T3030-W04832H	873+45/-0
D30044680	20T3030-W04833H	1173+55/-0
D30044681	20T3030-W04834H	1473+75/-0

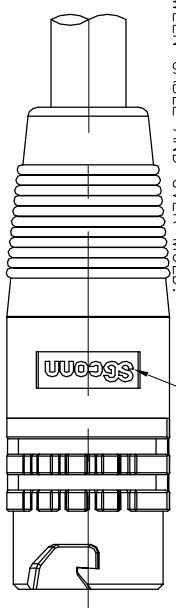


BLACK(24#)	4
BLUE(17#)	3
BROWN(17#)	2
WHITE(24#)	1
WIRE COLOR	CONN.
PIN OUT	



NOTES:

1. WATERPROOF RATE: IP66/67
  2. ELECTRICAL CHARACTERISTICS  
TEMPERATURE RANGE:-40° TO +105°C  
RATING: 60V AC/DC 10A(PIN1&PIN3) 5A(PIN1&PIN4).
  3. PULL FORCE TEST:60N min.
  4. SPECIFICATIONS:SEE "QUICK SERIES GENERAL SPEC".
  5. TO CONFORM TO ROHS REQUIREMENT AND REACH REGULATION
  6. GREEN PRODUCT IDENTIFICATION LABEL ON PACKAGING:
  7. NON-HUMAN FACTORS CAUSE SERVICE LIFE IS 5 YEARS
  8. LASE DATE CODE "YYMMDD" ON TOP OF OVER MOLD
- DATE CODE: YYMMDD  
DAY MONTH YEAR



M	HEAR SHRINK TUBE	2	φ4.0 300V	BLACK
L	TERMINAL	4	BRASS	TIN PLATED
K	WIRE	2	UL 1450 24AWG	SEE PIN OUT
J	WIRE	2	UL1015 17AWG	SEE PIN OUT
I	HEAT SHRINK TUBE	2	φ5.0 300V	BLACK
H	HEAT SHRINK TUBE	4	φ2.5 300V	BLACK
G	HEAT SHRINK TUBE	2	φ3.0 300V	BLACK
F	O-RING	1	SILICONE	BLUE
E	CABLE	1	UL21996 17#*2C+P+ 24#*1P(UV) 0D7.2 Sun Res Wet60°C Cable	BLACK (PVC JACKET)
D	INNER MOLD	1	TPEE	NATURAL
C	OVER MOLD	2	TPEE	BLACK
B	FEMALE PIN	4	Phosphor Bronze	1~3u" GOLD PLATING OVER NICKEL PLATING
A	BODY	1	PA66	BLACK

UNLESS OTHERWISE SPECIFIED TOLERANCES	
DECIMALS:	ANGLES:
X :X.X	X :±2°
X.XX :±0.3	X.X :±1°
X.XX :±0.2	

TITLE	CIRCULAR STANDARD SIZE (QUICK TYPE)
DMN	LEI
CHKD	JF
APVD	JF
Suzhou Singatron Auto Electronics CO.,LTD. 苏州信登汽车电子有限公司	
PART NO.20T3030-W04834H	
SCALE	2:1
SIZE	A3
SHEET	1 OF 1
REV	B
CUSTOMER COPY	