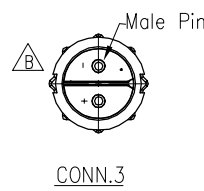
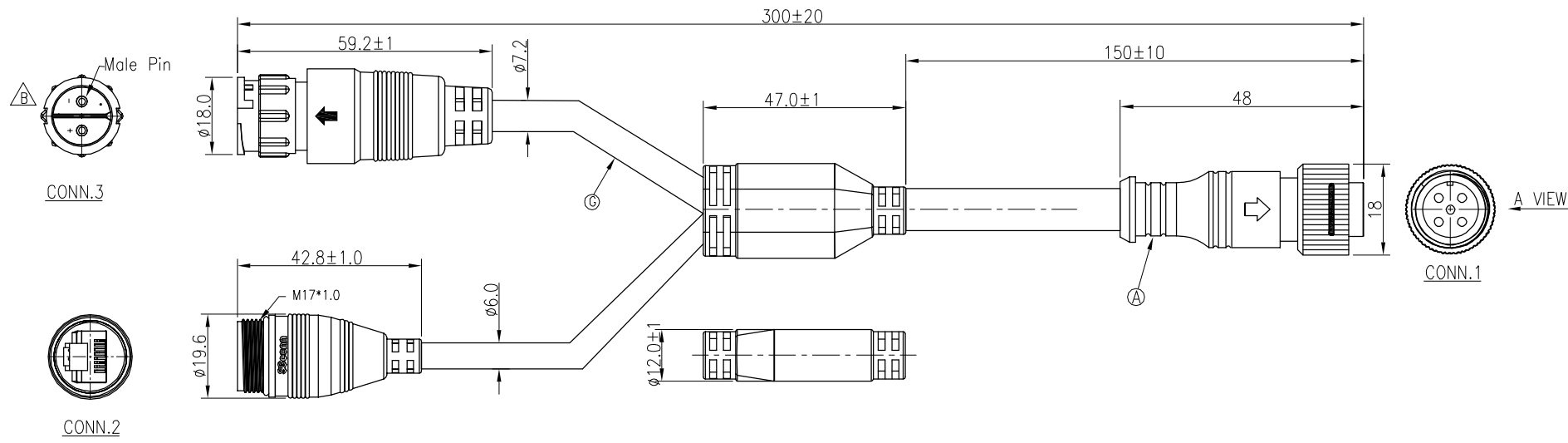
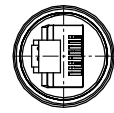


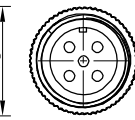
REV.	ECN NO OR DESCRIPTION	REVISED	DATE
A	PDR NO.:A190219-3B	JAY	2019.12.20
B	ECN NO.:S202305-C06	JAY	2023.05.18



CONN.3

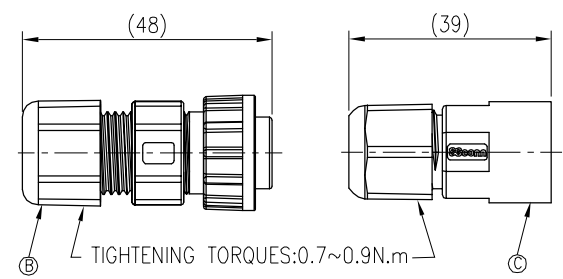


CONN.2

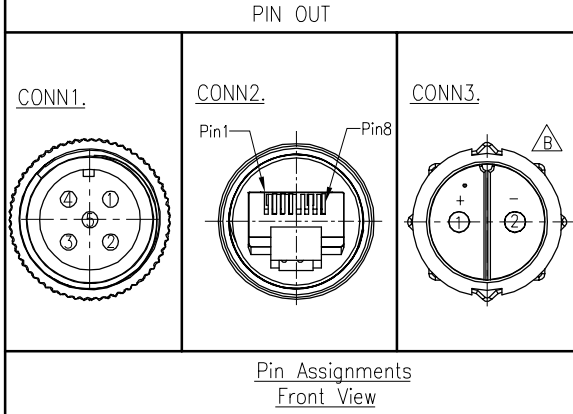


CONN.1

A VIEW



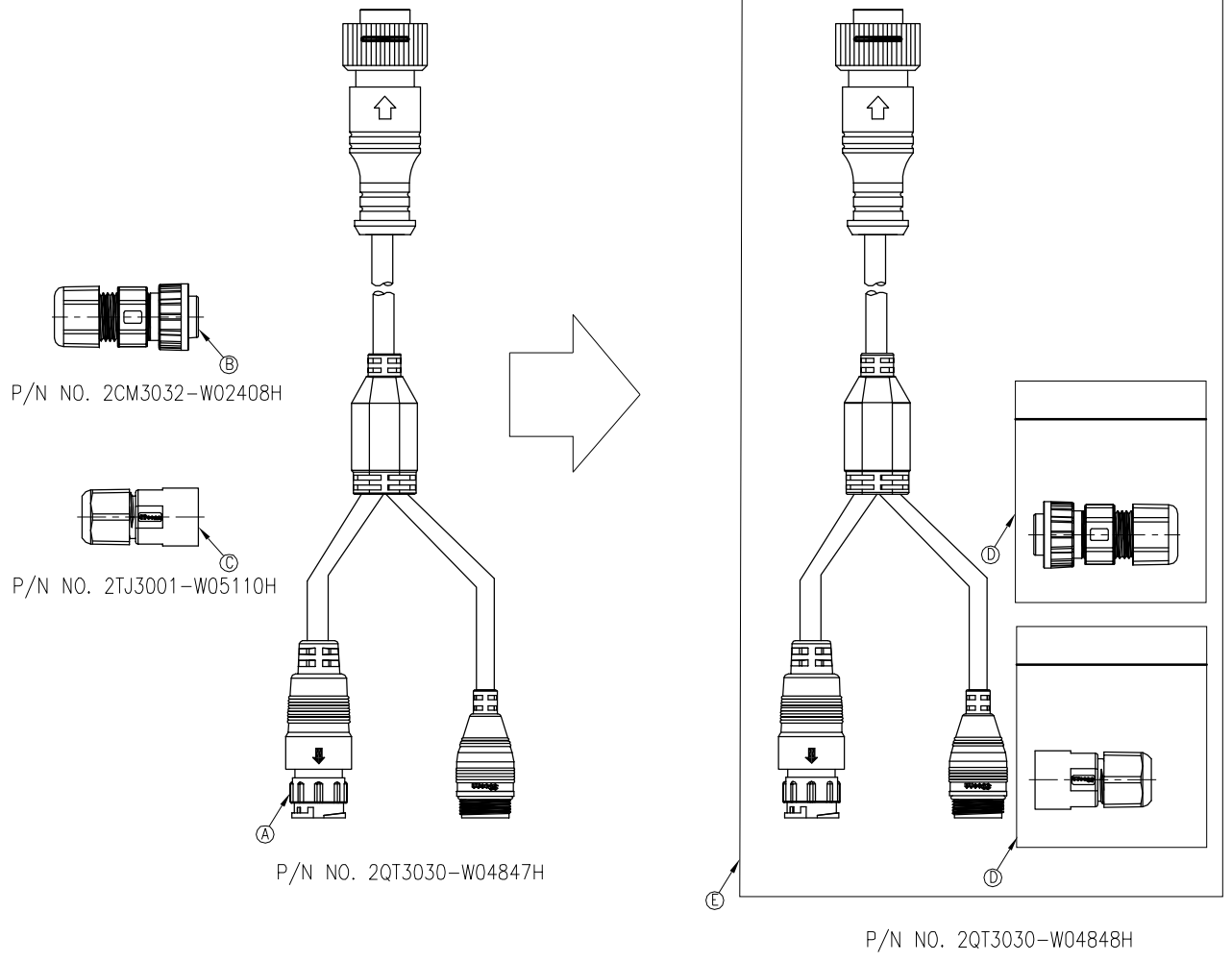
5	BLACK	3	GREEN/WHITE(GND)	2	BLUE
4	RED		N/A	1	BROWN
3	GREEN	2	ORANGE(DMX+)		N/A
2	YELLOW	1	ORANGE/WHITE(DMX-)		N/A
1	BLUE		N/A		N/A
CONN.1	WIRE COLOR	CONN.2	WIRE COLOR	CONN.3	WIRE COLOR



Note:
DETAIL SPEC. TO REFER "CONN. (A)(B)(C)DRAWING"

C	CONN.	1	2TJ3001-W05110H	N/A
B	CONN.	1	2CM3032-W02408H	N/A
A	CONN.	1	2QT3030-W04847H	N/A
NO	DESCRIPTION	QTY	MATERIAL	PLATING & COLOR
UNLESS OTHERWISE SPECIFIED TOLERANCES			Suzhou Singotron Auto Electronics CO.,LTD. 蘇州信音汽車電子有限公司	
DECIMALS:		ANGLES:		TITLE
X	:±0.5	X	:±2°	CIRCULAR STANDARD SIZE (QUICK TYPE)
X.X	:±0.3	X.X	:±1°	MALE CONN. FEMALE (2+2) PIN(10+5)A
X.XX	:±0.2			
DWN	JAY	PART NO.2QT3030-W04848H		
CHKD	MF	SCALE 1:1	UNIT: mm	
APVD	JF	SIZE: A3	SHEET:1 OF 2	REV: B
CUSTOMER COPY				

REV.	ECN NO OR DESCRIPTION	REVISED	DATE
A	PDR NO.:A190219-3B	JAY	2019.12.20
B	ECN NO.:S202305-C06	JAY	2023.05.18



NO	DESCRIPTION	QTY	MATERIAL	PLATING & COLOR
E	自封袋	1	340*120(L*W)	N/A
D	自封袋	2	90*60(L*W)	N/A
C	CONN.	1	2TJ3001-W05112H	N/A
B	CONN.	1	2CM3032-W02408H	N/A
A	CONN.	1	2QT3030-W04847H	N/A

SINGATRON P/N
2QT3030-W04848H

UNLESS OTHERWISE SPECIFIED TOLERANCES

DECIMALS: X :±0.5 X.X :±0.3 X.XX :±0.2

ANGLES: X :±2° X.X :±1°

Suzhou Singatron Auto Electronics CO.,LTD. 蘇州信音汽車電子有限公司			
TITLE	CIRCULAR STANDARD SIZE (QUICK TYPE) MALE CONN. FEMALE (2+2) PIN(10+5)A		
DWN	JAY	PART NO.2QT3030-W04848H	
CHKD	MF	SCALE 1:1	UNIT: mm
APVD	JF	SIZE: A3	SHEET:2 OF 2 REV: B
CUSTOMER COPY			