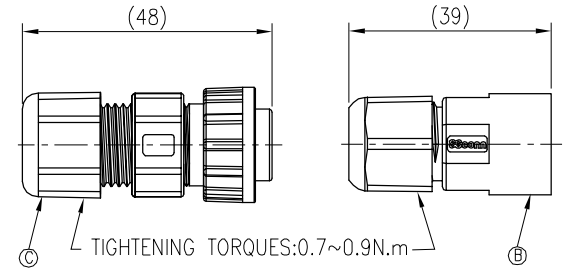
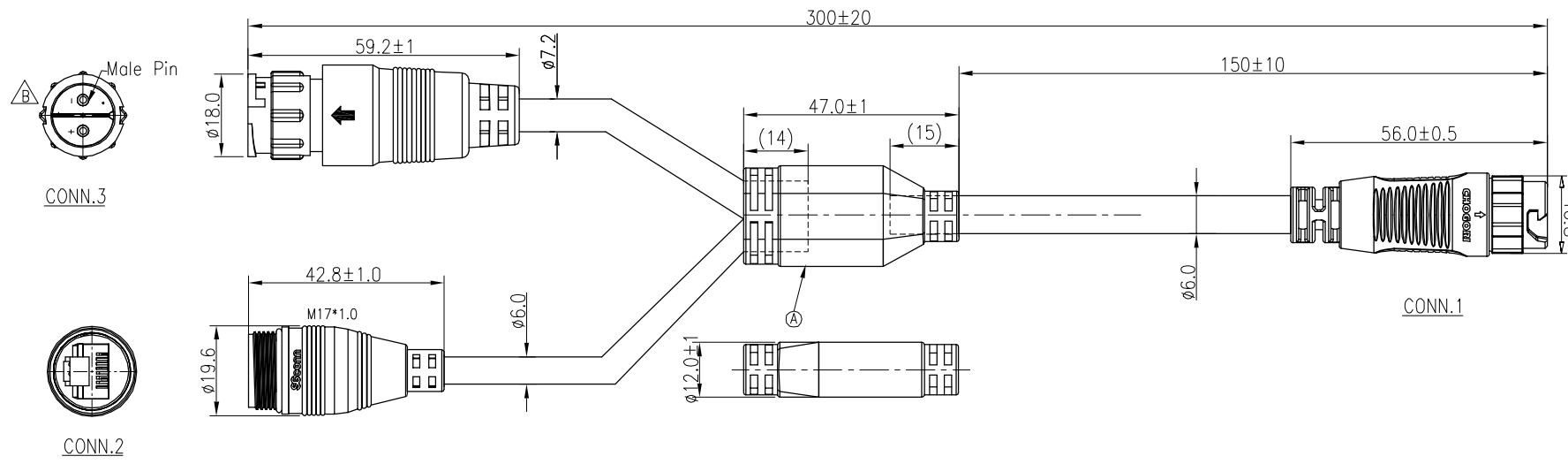
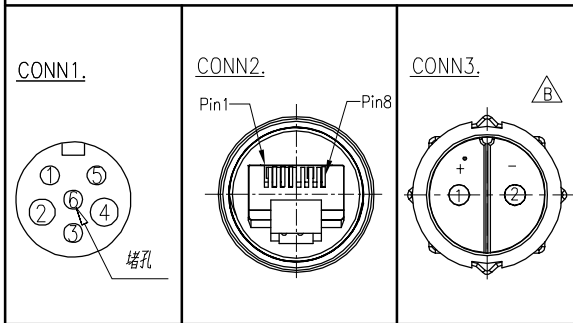


REV.	ECN NO OR DESCRIPTION	REVISED	DATE
A	PDR NO.:A200724-3B	JAY	2021.05.18
B	ECN NO.:S202305-C06	JAY	2023.05.18



6	堵孔		N/A		N/A
2	BALCK	3	GREEN/WHITE(GND)	2	BLUE
4	RED		N/A	1	BROWN
3	YELLOW	2	ORANGE(DMX+)		N/A
5	BLUE	1	ORANGE/WHITE(DMX-)		N/A
1	WHITE		N/A		N/A
CONN.1	WIRE COLOR	CONN.2	WIRE COLOR	CABLE.G	WIRE COLOR

PIN OUT



Pin Assignments
Front View

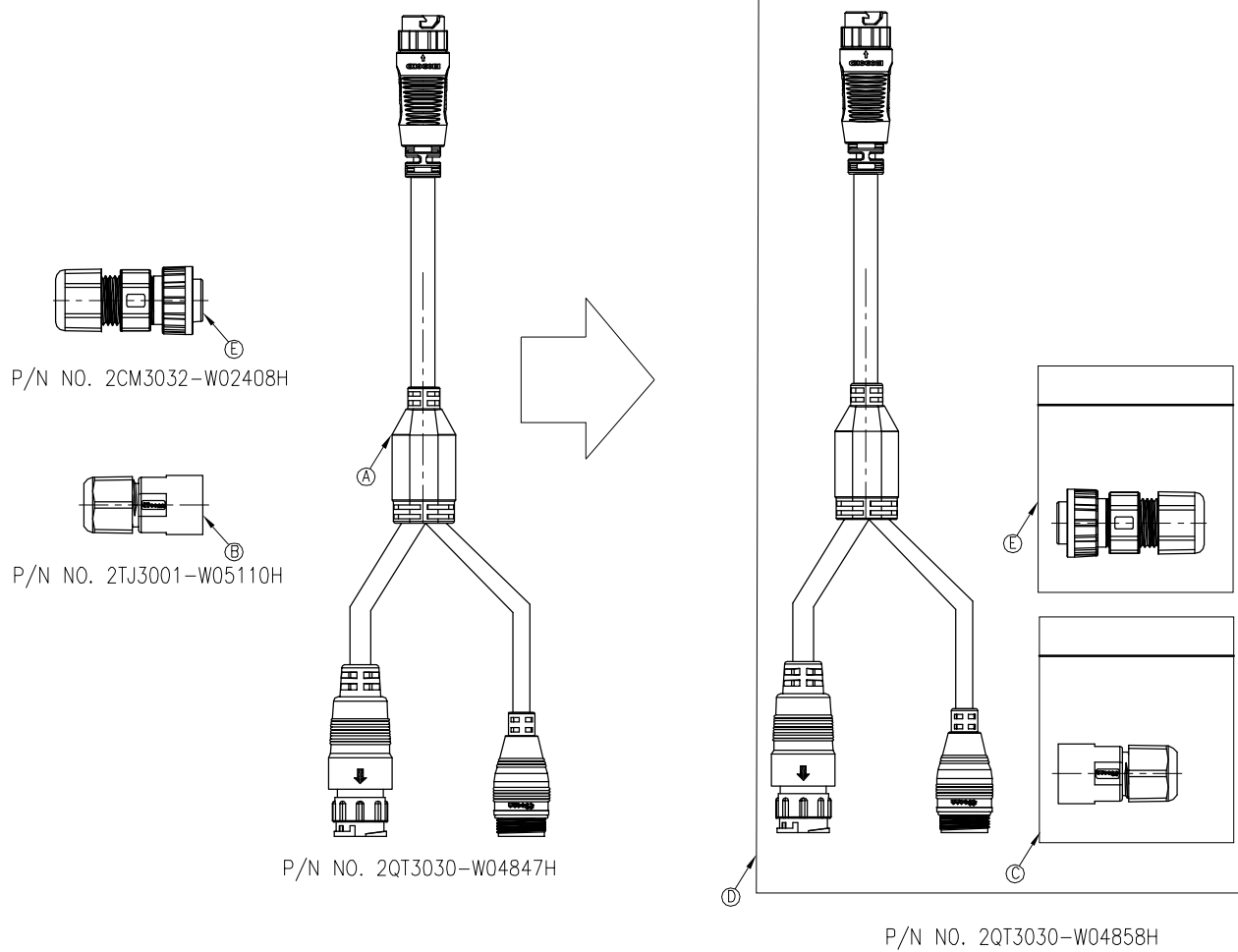
Model No.	Description	Ltem Code
RB.MA.5240000	RB RJ45 STARTER Y-CABLE IP 67	AM401000055

Note:
DETAIL SPEC. TO REFER "CONN. (A)(B)(C)DRAWING"

C	CONN.	1	2CM3032-W02408H	N/A
B	CONN.	1	2TJ3001-W05110H	N/A
A	CONN.	1	2QT3030-W04857H	N/A
NO	DESCRIPTION	QTY	MATERIAL	PLATING & COLOR
UNLESS OTHERWISE SPECIFIED TOLERANCES			Suzhou Singatron Auto Electronics CO.,LTD. 蘇州信音汽車電子有限公司	
DECIMALS:		ANGLES:		TITLE
X	:±0.5	X	:±2'	CIRCULAR STANDARD SIZE (QUICK TYPE)
X.X	:±0.3	X.X	:±1'	MALE CONN. FEMALE (2+2) PIN(10+5)A
X.XX	:±0.2	DWN JAY PART NO.2QT3030-W04858H		
APVD JF		SCALE 1:1	UNIT: mm	REV: B

CUSTOMER COPY

REV.	ECN NO OR DESCRIPTION	REVISED	DATE
A	PDR NO.:A200724-3B	JAY	2021.05.18
B	ECN NO.:S202305-C06	JAY	2023.05.18



Model No.	Description	Ltem Code	SINGATRON P/N	
RB.MA.5240000	RB RJ45 STARTER Y-CABLE IP 67	AM401000055	E	CONN.
			D	自封袋
			C	自封袋
			B	CONN.
			A	CONN.
			NO	DESCRIPTION
			QTY	MATERIAL
				PLATING & COLOR

UNLESS OTHERWISE SPECIFIED TOLERANCES

DECIMALS: ANGLES:

X :±0.5 X :±2°

X.X :±0.3 X.X :±1°

X.XX :±0.2

Suzhou Singatron Auto Electronics CO.,LTD. 蘇州信音汽車電子有限公司				
TITLE	CIRCULAR STANDARD SIZE (QUICK TYPE) MALE CONN. FEMALE (2+2) PIN(10+5)A			
DWN	JAY	PART NO. 2QT3030-W04858H		
CHKD	MF	SCALE 1:1	UNIT: mm	
APVD	JF	SIZE: A3	SHEET: 2 OF 2	REV: B
CUSTOMER COPY				