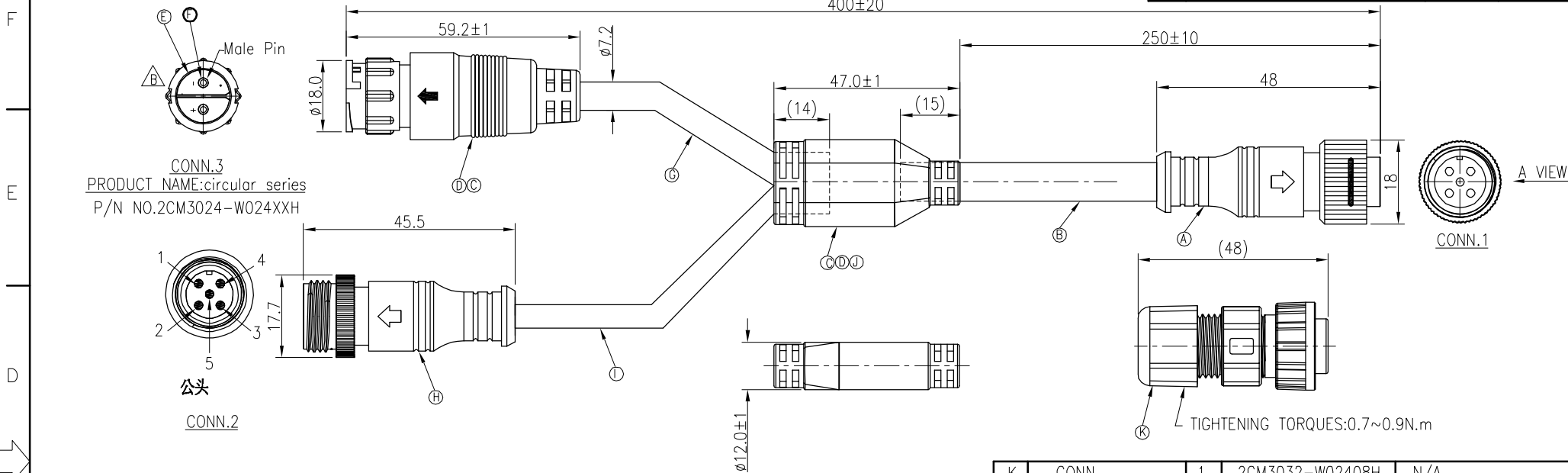
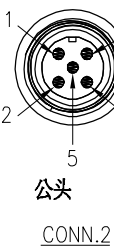


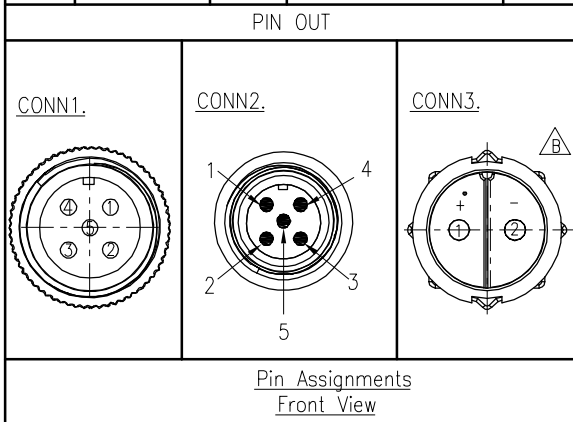
REV.	ECN NO OR DESCRIPTION	REVISED	DATE
A	PDR NO.:A201209-2A	JAY	2021.04.19
B	ECN NO.:S202305-C06	JAY	2023.05.18



CONN.3  
PRODUCT NAME:circular series  
P/N NO.2CM3024-W024XXH



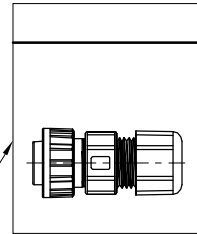
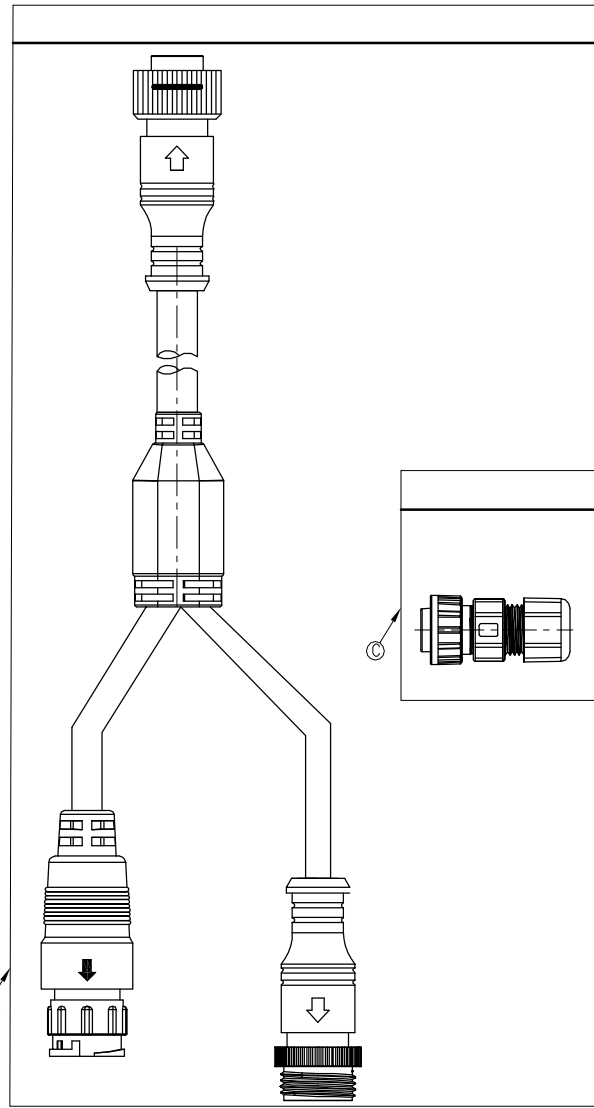
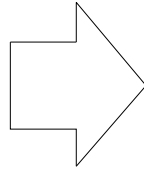
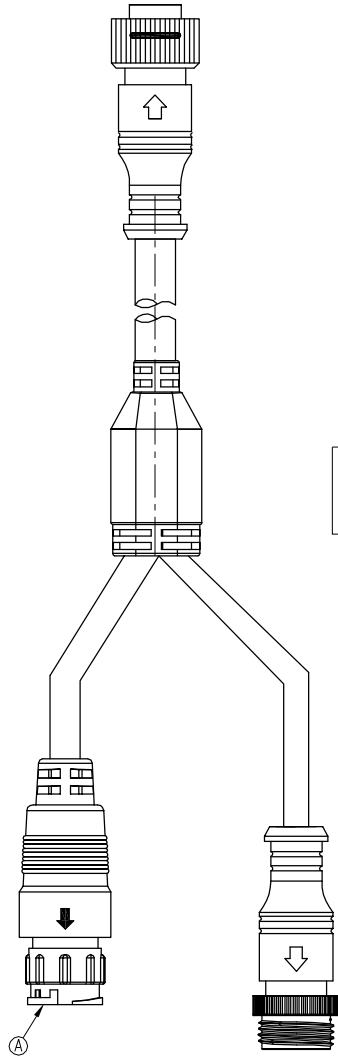
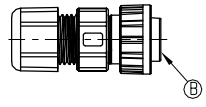
5	BLACK	5	BLACK	2	BLUE
4	RED	/	N/A	1	BROWN
3	GREEN	3	GREEN	/	N/A
2	YELLOW	2	YELLOW	/	N/A
1	BLUE	1	BLUE	/	N/A
/	N/A	4	RED	/	N/A
CONN.1	WIRE COLOR	CONN.2	WIRE COLOR	CONN.3	WIRE COLOR



- NOTES:
- ELECTRICAL CHARACTERISTICS:  
1-1 INSULATION RESISTANCE: 100 MOhm Min. at 500VDC.  
1-2 BREAKDOWN VOLTAGE: 500 VAC PER MINUTE.
  - ENVIRONMENTAL:  
2-1 OPERATING TEMPERATURE: -40°C TO +105°C.  
2-2 SEALING REQUIREMENTS: IP66&IP67.
  - SPECIFICATIONS:SEE "QUICK SERIES GENERAL SPEC".
  - GREEN PRODUCT IDENTIFICATION LABEL ON PACKAGING:
  - Unleaded tin wire must be used for soldering

K	CONN.	1	2CM3032-W02408H	N/A
J	HEAT SHRINK TUBE	4	φ2 UL94 V-0	BLACK
I	CABLE	1	N/A	N/A
H	FEMALE CONN. 2	1	M16B MALE CONN.	N/A
G	CABLE	1	UL21996 17#*2C+P+24#*1P(UV) OD7.2	BLACK (PVC JACKET)
F	MALE PIN	2	BRASS	(1~3)μ" GOLD PLATING OVER NICKEL PLATING
E	BODY	1	NYLON+GF	BLACK
D	INNER MOLD	1	TPEE	NATURAL
C	OVER MOLD	2	TPEE	BLACK
B	CABLE	1	N/A	N/A
A	MALE CONN. 1	1	M16B FEMALE CONN.	N/A
NO	DESCRIPTION	QTY	MATERIAL	PLATING & COLOR
UNLESS OTHERWISE SPECIFIED TOLERANCES			Suzhou Singatron Auto Electronics CO.,LTD. 蘇州信音汽車電子有限公司	
DECIMALS: ANGLES:		TITLE		
CABLE :±0.5 X :±2'		CIRCULAR STANDARD SIZE (QUICK TYPE) MALE CONN. FEMALE (2+2) PIN(10+5)A		
X.X :±0.3 X.X :±1'		DWN	JAY	<b>PART NO.2QT3030-W04862H</b>
X.XX :±0.2		CHKD	MF	SCALE 1:1 UNIT: mm
		APVD	JF	SIZE: A3 SHEET:1 OF 2 REV: B
<b>CUSTOMER COPY</b>				

REV.	ECN NO OR DESCRIPTION	REVISED	DATE
A	PDR NO.:A201209-2A	JAY	2021.04.19
B	ECN NO.:S202305-C06	JAY	2023.05.18



**50** **traxon**  
AS DOT POWER INJ CABLE KIT 0.4 VS50TX



Made in China



Qty.:



A M40 670 00 55

外包装箱 LABEL 内容

NO	DESCRIPTION	QTY	MATERIAL	PLATING & COLOR
D	自封袋	1	340*120(L*W)	N/A
C	自封袋	1	90*60(L*W)	N/A
B	CONN.	1	N/A	N/A
A	CONN.	1	N/A	N/A

UNLESS OTHERWISE SPECIFIED TOLERANCES

DECIMALS: ANGLES:  
X :±0.5 X :±2'  
X.X :±0.3 X.X :±1'  
X.XX :±0.2

Suzhou Singatron Auto Electronics CO.,LTD.  
蘇州信音汽車電子有限公司

TITLE	CIRCULAR STANDARD SIZE (QUICK TYPE) MALE CONN. FEMALE (2+2) PIN(10+5)A			
DWN	JAY	PART NO.2QT3030-W04862H		
CHKD	MF	SCALE 1:1	UNIT: mm	⊕
APVD	JF	SIZE: A3	SHEET:2 OF 2	REV: B

CUSTOMER COPY