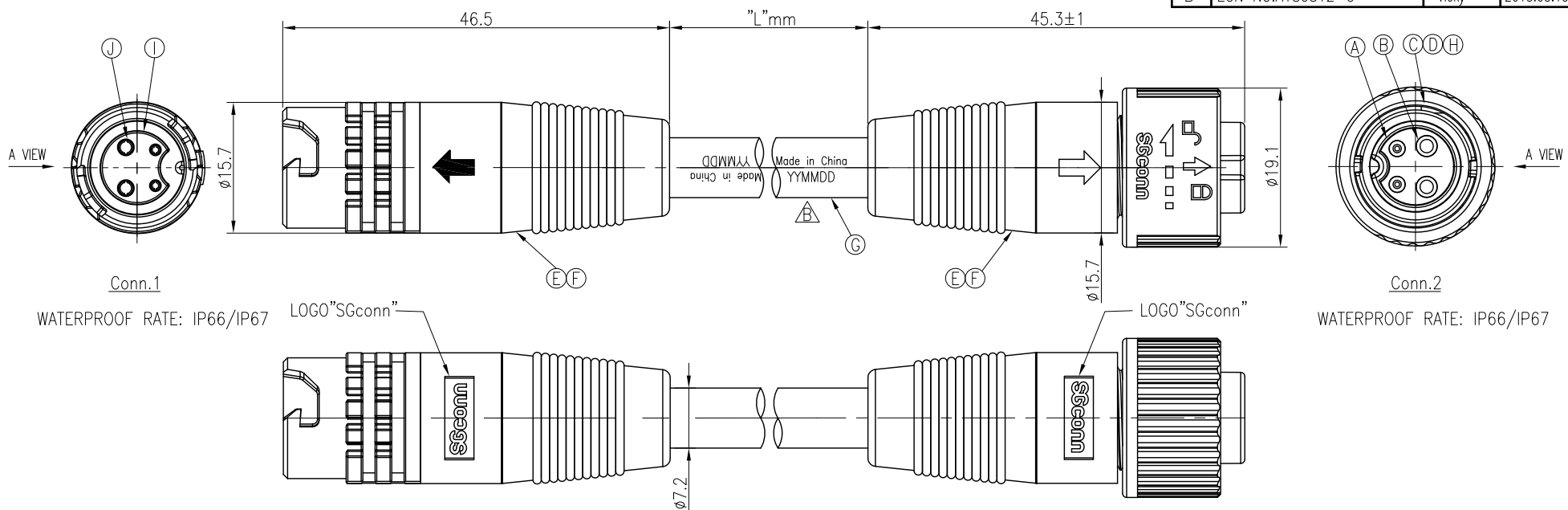


C	ECN NO.S202106-E15	Elrod	2021.12.22	REV.	ECN NO OR DESCRIPTION	REVISED	DATE
A	PDR NO.:S151230-12D~12F	Vicky	2015.12.23	B	ECN NO.A180812-C	Vicky	2018.08.15



WATERPROOF RATE: IP66/IP67

WATERPROOF RATE: IP66/IP67

4	BLACK(24#)	4
3	BLUE(17#)	3
2	BROWN(17#)	2
1	WHITE(24#)	1

—TWIST

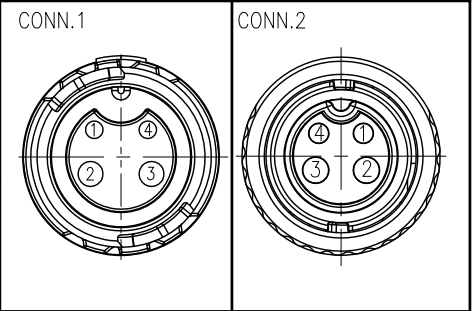
TX P/N	SINGATRON P/N	"L" mm
TU.AC.0600500	2QT3030-W04802H	140+15/-0
TU.AC.0600600	2QT3030-W04803H	1500+50/-0
TU.AC.0600700	2QT3030-W04804H	4000+150/-0

NOTES:

1. WATERPROOF RATE: IP66/IP67
2. ELECTRICAL CHARACTERISTICS
TEMPERATURE RANGE: -40° TO +105°
CONTACT RESISTANCE: 0.1 ohm (connector&soldering point)
+0.0163 ohm/meter(cable)
RATING: 60V AC/DC 10A(PIN2&PIN3) 5A(PIN1&PIN4).
TEST CONDITION: DC300V 10Mohm 10ms
3. SPECIFICATIONS:SEE "QUICK SERIES GENERAL SPEC".
4. TO CONFORM TO ROHS REQUIREMENT AND REACH REGULATION
5. GREEN PRODUCT IDENTIFICATION LABEL ON PACKAGING: **G.P. PASS**
6. China RoHS, RoHS & REACH COMPLIANCE
7. NON-HUMAN FACTORS CAUSE SERVICE LIFE IS 5 YEARS
8. LASE DATE CODE "YYMDD" ON TOP OF OVER MOLD
DATE CODE: YYMDD
DAY
MONTH
YEAR

CONN.1 WIRE COLOR CONN.2

PIN OUT



Pin Assignments
Front View

J	I	H	G	F	E	D	C	B	A
FEMALE PIN	BODY	SPRING	CABLE	INNER MOLD	OVER MOLD	O-RING	LOCK NUT	MALE PIN	BODY
4	1	1	1	2	2	1	1	4	1
Phosphor Bronze	PA66	1CR18NI9	UL21996 17#*2C+P+24#*1P(UV) OD7.2 Sun Res Wet60°C Cable	TPEE	TPEE	SILICONE	PC	BRASS	PA66
1~3u" GOLD PLATING OVER NICKEL PLATING	BLACK	N/A	BLACK(PVC JACKET)	NATURAL	BLACK	BLUE	GRAY	1~3u" GOLD PLATING OVER NICKEL PLATING	BLACK
NO	DESCRIPTION	QTY	MATERIAL	PLATING & COLOR					

UNLESS OTHERWISE SPECIFIED TOLERANCES		Suzhou Singatron Auto Electronics CO.,LTD. 蘇州信音汽車電子有限公司	
DECIMALS:	ANGLES:	TITLE	
X :±0.5	X :±2°	CIRCULAR STANDARD SIZE (QUICK TYPE) MALE CONN. FEMALE (2+2) PIN(10+5)A	
X.X :±0.3	X.X :±1°	DWN	Elrod
X.XX :±0.2		CHKD	JY
		APVD	JF
		SCALE 2:1 UNIT: mm	
		SIZE: A3 SHEET:1 OF 1	
		REV: C	
CUSTOMER COPY			