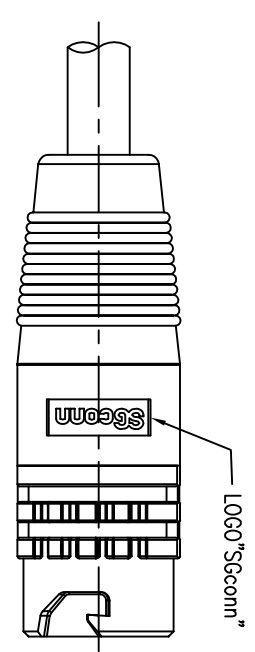
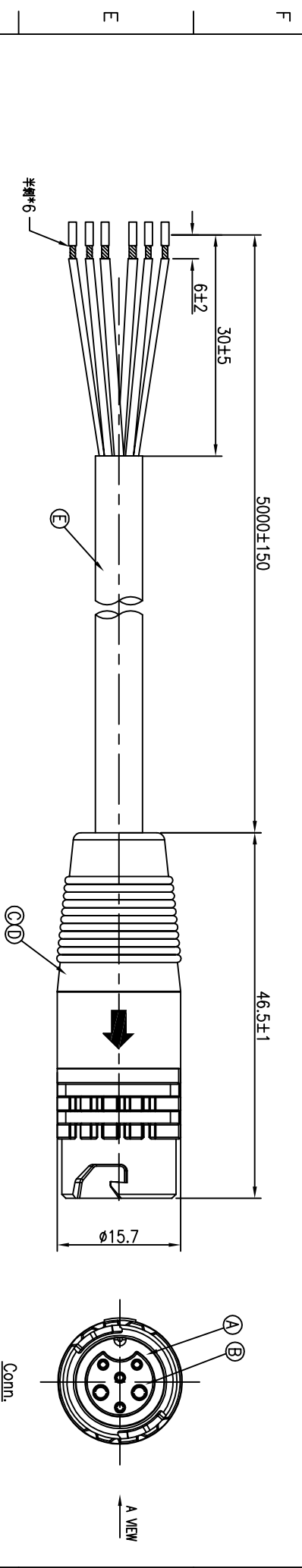
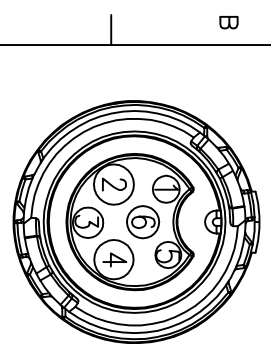


REV.	ECN NO.	OR DESCRIPTION	REVISED	DATE
A	PDR NO.:S170720-1C	Yang	2018.01.02	



WIRE COLOR	CONN.
GREEN(24#)	6
YELLOW(24#)	5
RED(18#)	4
WHITE(24#)	3
BLACK(18#)	2
BLUE(24#)	1



- NOTES:
- ELECTRICAL CHARACTERISTICS:
 - 1-1 CURRENT RATING: 10+5 AMPS.
 - 1-2 CONTACT RESISTANCE: 3 Ohm Max.
 - 1-3 INSULATION RESISTANCE: 100 Mohm Min. at 500VDC.
 - 1-4 BREAKDOWN VOLTAGE: 500VAC PER MINUTE.
 - ENVIRONMENTAL:
 - 2-1 OPERATING TEMPERATURE: -20°C TO +80°C.
 - 2-2 SEALING REQUIREMENTS: IP67.
 - LIFE TEST: 1,000 CYCLES MIN..
 - OTHER GENERAL SPEC TO REFER TO YOUR LOCAL SINGATRON ELECTRONICS SALES OFFICE.
 - FOR TECHNICAL DATA REFER TO YOUR LOCAL SINGATRON ELECTRONICS SALES OFFICE.
 - ALL DIMENSIONS ARE NOMINAL FOR REFERENCE ONLY UNLESS OTHERWISE STATED.
 - TO CONFORM TO SINGATRON HAZARDOUS SUBSTANCE FREE SPEC.
 - GREEN PRODUCT IDENTIFICATION LABEL ON PACKAGING: GR-PASS

NO	DESCRIPTION	QTY	MATERIAL	PLATING & COLOR
E	CABLE	1	UL2464 24AWG*2P+ 18#*2C+AL 0D7.2 (UV RESISTANT)	GRAY(PVC JACKET) Pantone 424C
D	INNER MOLD	1	TPU	NATURAL
C	OVER MOLD	1	PP	GRAY
B	FEMALE PIN	6	Phosphor Bronze	1~3u" GOLD PLATING OVER NICKEL PLATING
A	BODY	1	PA66	GRAY

UNLESS OTHERWISE SPECIFIED TOLERANCES

DECIMALS:	ANGLES:
X :±0.5	X :±2°
X.X :±0.3	X.X :±1°
X.XX :±0.2	

TITLE	CIRCULAR STANDARD SIZE (QUICK TYPE)
DWN	Yang
CHKD	JF
APVD	Steve

PART NO. 2QT3030-W06821H
SCALE 2:1 UNIT: mm
SIZE: A3 SHEET: 1 OF 1
REV: A

Singatron Enterprise Co., Ltd.
信亨企業股份有限公司

CUSTOMER COPY