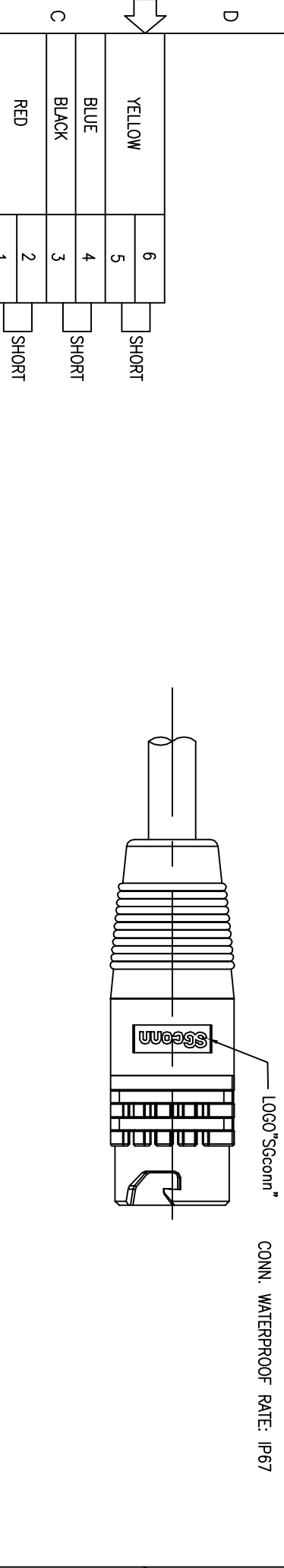
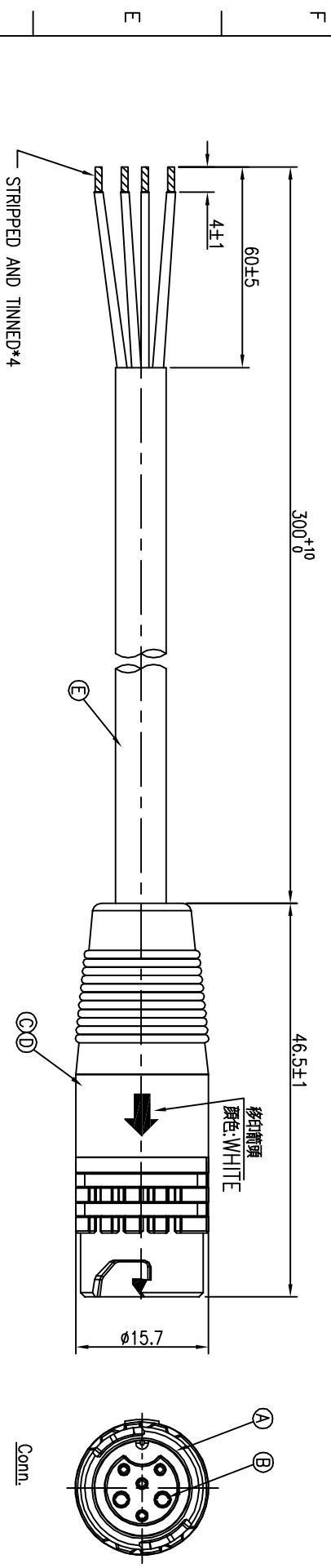
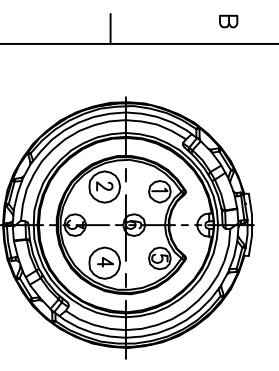


REV.	ECN NO	OR DESCRIPTION	REVISED	DATE
A	PDR NO.:A171207-3B		Verky	2017.12.07
B	ECN NO.: S202312-R10		Erod	2024.02.26



WIRE COLOR	CONN.
YELLOW	6
BLUE	5
BLACK	4
RED	3
	2
	1

PIN DEFINE	CONN.
	6
	5
	4
	3
	2
	1



Pin Assignments
Front View

- NOTES:
- ELECTRICAL CHARACTERISTICS:
 - 1-1 CURRENT RATING: 10+5 AMPS.
 - 1-2 CONTACT RESISTANCE: 3 Ohm Max.
 - 1-3 INSULATION RESISTANCE: 100 Mohm Min. at 500VDC.
 - 1-4 BREAKDOWN VOLTAGE: 1000VAC PER MINUTE.
 - ENVIRONMENTAL:
 - 2-1 OPERATING TEMPERATURE: -40°C TO +80°C.
 - 2-2 SEALING REQUIREMENTS: IP67.
 - OTHER GENERAL SPEC TO REFER "QUICK SERIES GENERAL SPEC".
 - FOR TECHNICAL DATA REFER TO YOUR LOCAL SINGATRON ELECTRONICS SALES OFFICE.
 - ALL DIMENSIONS ARE NOMINAL FOR REFERENCE ONLY UNLESS OTHERWISE STATED.
 - TO CONFORM TO SINGATRON HAZARDOUS SUBSTANCE FREE SPEC.
 - GREEN PRODUCT IDENTIFICATION LABEL ON PACKAGING:

A	B	C	D	E
NO	DESCRIPTION	QTY	MATERIAL	PLATING & COLOR
A	BODY	1	PA66	BLACK
B	FEMALE PIN	6	Phosphor Bronze	1~3u" GOLD PLATING OVER NICKEL PLATING
C	OVER MOLD	1	TPU	BLACK
D	INNER MOLD	1	TPU	NATURAL
E	CABLE	1	20AWG*4C OD:6.6mm (3.10.4634.1.1517) (UV RESISTANT)	BLACK (PVC JACKET)

UNLESS OTHERWISE SPECIFIED TOLERANCES

DECIMALS: ANGLES:

X :±0.5 X :±2

X.X :±0.3 X.X :±1

X.XX :±0.2

Sgconn Suzhou Singatron Auto Electronics CO.,LTD.
苏州信音汽车电子有限公司

CIRCULAR STANDARD SIZE (QUICK TYPE)
TITLE MALE CONN. FEMALE (2+4)PIN/10+5A LOCK TYPE
DWN Erod PART NO. 2QT93030-W06833H
CHKD JUN SCALE 2:1 UNIT: mm
APVD JF SIZE: A3 SHEET: 1 OF 1 REV: B

CUSTOMER COPY