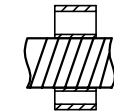
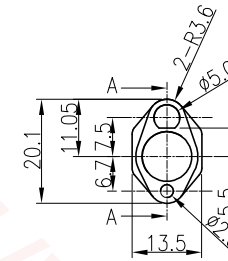
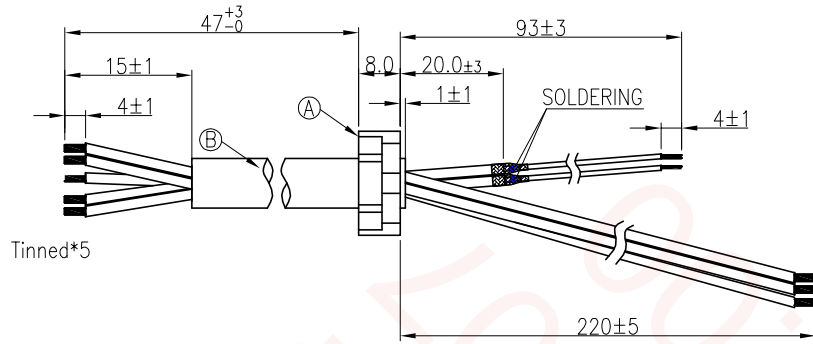
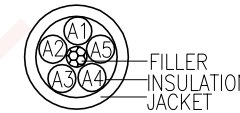
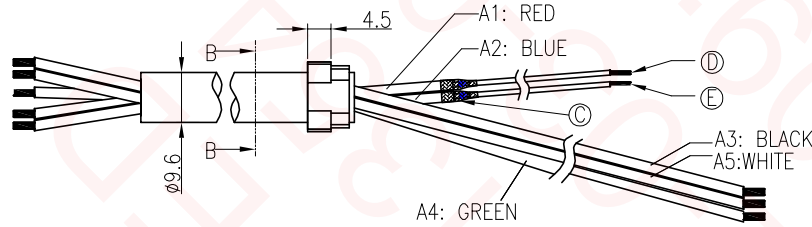


REV.	ECN NO OR DESCRIPTION	REVISED	DATE
A	PDR NO.:S130926-6A	Harlen	2015.5.6



SECTION A-A



SECTION B-B

- A1: AWG18 (RED)
- A2: AWG18 (BLUE)
- A3: AWG18 (BLACK)
- A4: AWG18 (GREEN)
- A5: AWG18 (WHITE)

CUSTOMER P/N	SINGATRON P/N
MHCAH100610200	2QT3100-W00203H



E	WIRE	1	UL1430 24AWG	BLUE
D	WIRE	1	UL1430 24AWG	RED
C	HEAT SHRINK TUBE	2	Ø2.4,L=12MM	BLACK
B	CBALE	1	5C*18AWG OD Ø9.6	GRAY (PANTONE COLOR 427C)
A	SR MOLD	1	TPE	NATURAL
NO	DESCRIPTION	QTY	MATERIAL	PLATING & COLOR

UNLESS OTHERWISE SPECIFIED TOLERANCES		Singatron Enterprise Co., Ltd. 信晉企業股份有限公司	
DECIMALS:	ANGLES:	TITLE AC 5PIN CABLE	
X :±0.5	X :±2°	DWN	Harlen PART NO.2QT3100-W00203H
X.X :±0.3	X.X :±1°	CHKD	Harlen SCALE 1:1 UNIT: mm
X.XX :±0.2		APVD	Steve SIZE: A3 SHEET:1 OF 1 REV:A
CUSTOMER COPY			

SPECIFICATIONS:

1. PULL FORCE TEST:16kgf min. FOR 2Mins;
WIRE MOVEMENT MUST BE LESS THAN 2mm
2. INSULATION RESISTANCE: 10MΩ MIN. BY 250V DC
3. TO CONFORM TO THE SINGATRON HAZARDOUS SUBSTANCE FREE SPEC.
4. GREEN PRODUCT IDENTIFICATION LABEL ON PACKAGING: **G.P. PASS**
5. CORE WIRES ORIENTATION MUST BE ARRANGED AS INDICATED SECTION B-B