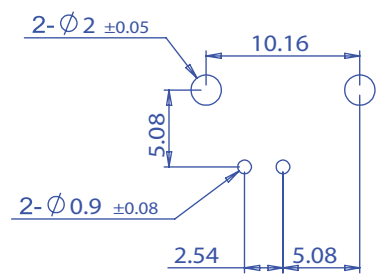
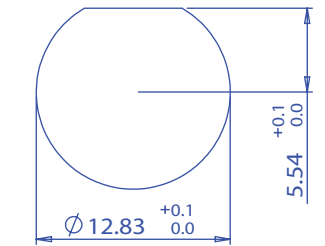


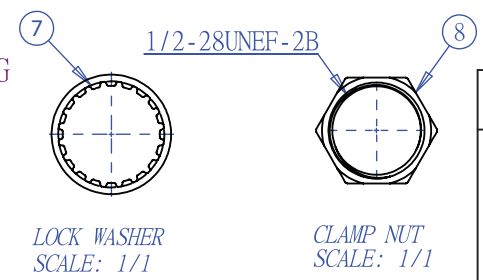
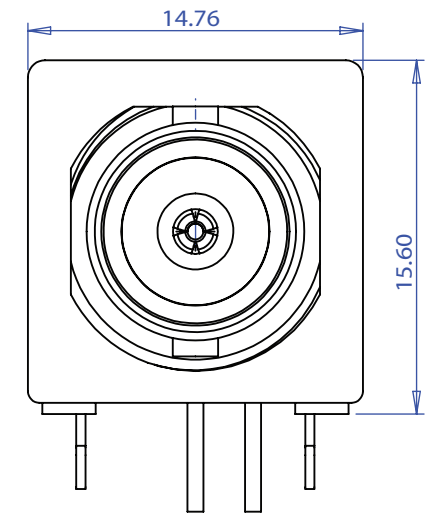
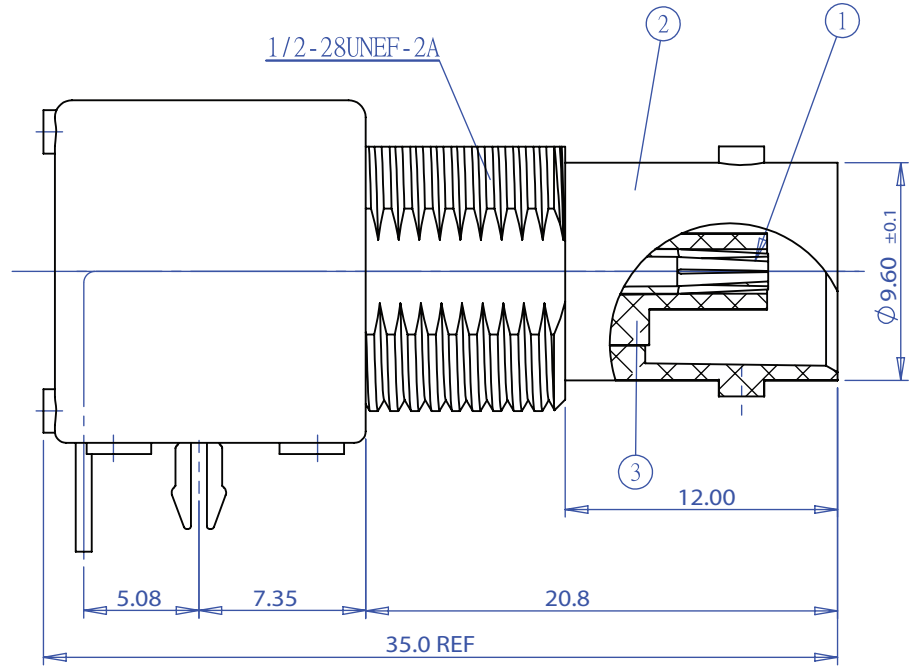
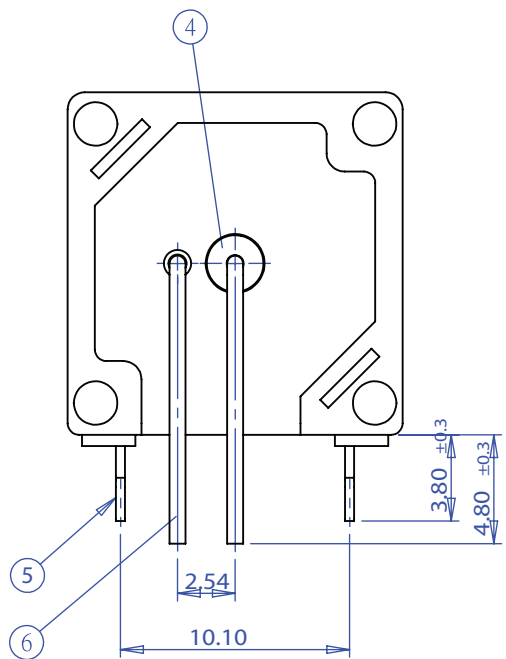
REV	ECO	DESCRIPTION	DRAW	DATE
A	BC12070111	尺寸重新校驗發行	ELAINA	2012/07/30



RECOMMEND PC BOARD LAYOUT
WITHOUT MOUNTING POSTS



RECOMMENDED MOUNTING HOLE
MAXIMUM PANEL THICKNESS: 5.5mm



LOCK WASHER
SCALE: 1/1

CLAMP NUT
SCALE: 1/1

- MATERIAL & FINISH**
- 1.CENTER CONTACT : PHOSPHOR BRONZE, GOLD PLATING
 - 2.BODY : ZINC ALLOY, NICKEL PLATING
 - 3&4.INSULATOR : PE-606
 - 5.MOUNTING POST : BRONZE, TIN PLATING
 - 6.SOLDER TAIL:COPPER WIRE, TIN PLATING
 - 7.WASHER : STEEL, NICKEL PLATING
 - 8.NUT : BRASS, NICKEL PLATING

UNLESS OTHERWISE
SPECIFIED TOLERANCES

DECIMALS: ANGLES:
X :±0.5 X :±2°
X.X :±0.3 X.X :±1°
X.XX :±0.2

Singatron Enterprise Co., Ltd.			
TITLE	75Ω BNC R/A PCB MOUNT JACK WITH FITTING		
DWN	ELAINA 2012/7/26	PART NO. 2RF-ABR0189A	
CHKD	SCALE 1:1	UNIT: mm	④
APVD	SIZE: A3	SHEET:1 OF 1	REV: A
CUSTOMER COPY			