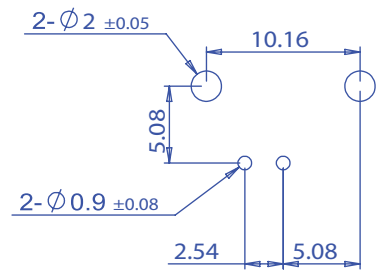
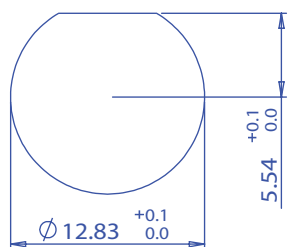


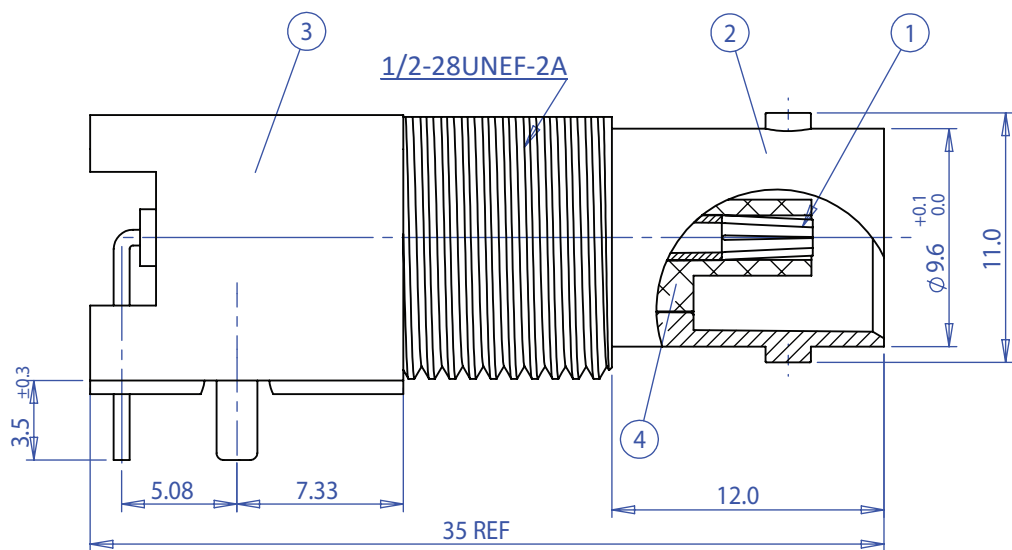
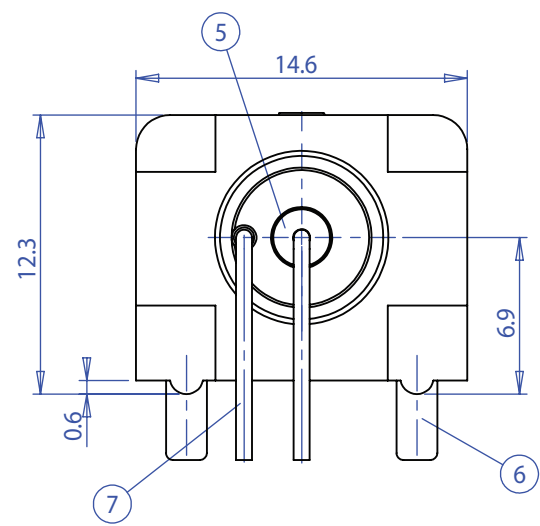
| REV | ECO | DESCRIPTION | DRAW | DATE |
|-----|------------|-------------|--------|------------|
| A | BC12060058 | 尺寸重新校驗發行 | ELAINA | 2012/06/21 |
| | | | | |
| | | | | |
| | | | | |



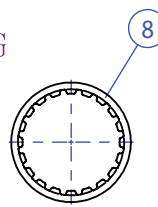
RECOMMEND PC BOARD LAYOUT
WITHOUT MOUNTING POSTS



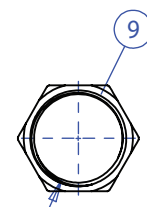
RECOMMENDED MOUNTING HOLE
MAXIMUM PANEL THICKNESS: 5.5mm



- MATERIAL & FINISH**
- 1.CENTER CONTACT : PHOSPHOR BRONZE, GOLD PLATING
 - 2.BODY : ZINC ALLOY, NICKEL PLATING
 - 3.HOUSING : PBT (94 V-0), WHITE
 - 4&5.INSULATOR : PE-606
 - 6.MOUNTING POST : BRASS, TIN PLATING
 - 7.SOLDER TALL:COPPER WIRE, TIN PLATING
 - 8.WASHER : STEEL, NICKEL PLATING
 - 9.NUT : BRASS, NICKEL PLATING



LOCK WASHER
SCALE:1/1



CLAMP NUT
SCALE:1/1

UNLESS OTHERWISE SPECIFIED TOLERANCES

| DECIMALS: | ANGLES: |
|------------|----------|
| X :±0.5 | X :±2° |
| X.X :±0.3 | X.X :±1° |
| X.XX :±0.2 | |

| | | | |
|---------------------------------------|-----------------------------------|--------------|--------------|
| Singatron Enterprise Co., Ltd. | | | |
| TITLE | 75Ω BNC R/A PCB MOUNT JACK, WHITE | | |
| DWN | ELAINA 2014/04/18 | PART NO. | 2RF-ABR0203A |
| CHKD | SCALE 1:1 | UNIT: mm | ☉ ↻ |
| APVD | SIZE: A3 | SHEET:1 OF 1 | REV: A |
| CUSTOMER COPY | | | |