

**ELECTRICAL**

IMPEDANCE: 50/75 OHM

FREQUENCY RANGE: 0 ~ 4.0 GHz

WORKING VOLTAGE: 500 Vrms

DIELECTRIC WITHSTANDING VOLTAGE: 1500 Vrms

CONTACT RESISTANCE:

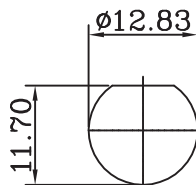
OUTER CONTACT 1.0 MEG OHM

CENTRE CONTACT 1.5 MEG OHM

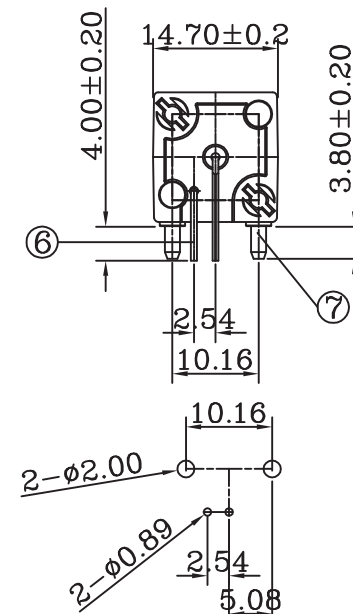
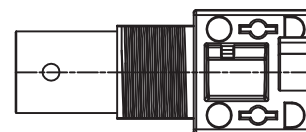
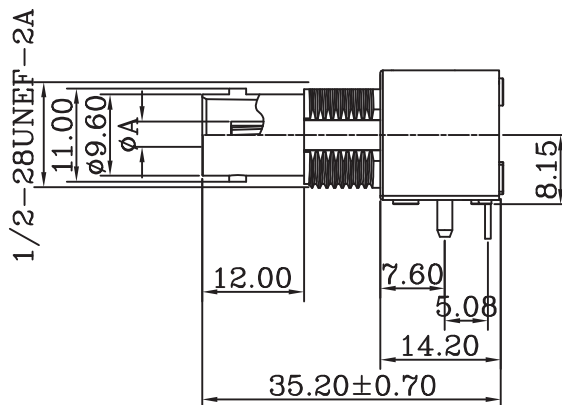
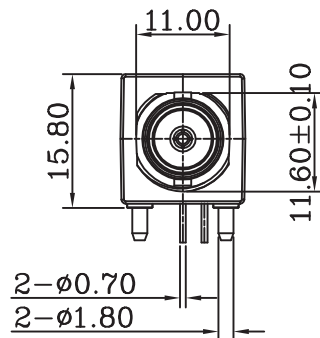
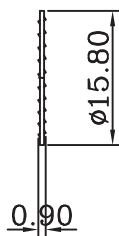
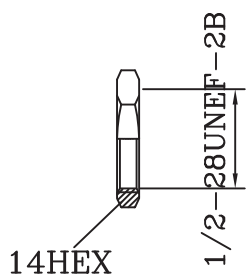
INSULATION RESISTANCE: > 5000 MEG OHM

**ENVIRONMENTAL**

TEMPERATURE RANGE: -65°C TO 180°C



RECOMMENDED MOUNTING HOLE



RECOMMENDED PCB HOLE

MODEL NO.	φA	DRAWING NO.	IMPEDANCE	
2RF-SB142B11HB10-4G	4.60		50 Ohm	
2RF-SB142B21HB10-4G	3.00		75 Ohm	18.46g

ITEM	DESCRIPTION	MATERIAL	Q'TY	FINISHED
7	FIXTURE	BRASS	2	TIN PLATED
6	CONTACT WIRE	BRASS	1	TIN PLATED
5	CONTACT PIN	P-BRONZE	1	GOLD PLATED
4	INSULATOR	TEFLON	1	NATURAL
3	BODY	ZINC	1	NICKEL PLATED
2	WASHER	IRON	1	NICKEL PLATED
1	NUT	ZINC	1	NICKEL PLATED

UNLESS OTHERWISE SPECIFIED TOLERANCES

DECIMALS: X :±0.5  
X.X :±0.3  
X.XX :±0.2

ANGLES: X :±2'  
X.X :±1'

Singatron Enterprise Co., Ltd.

TITLE BNC JACK PCB MOUNT 90°  
DWN 2010/10/08 PART NO. 2RF-SB142Bx1HB10-4G  
CHKD 2010/10/08 SCALE 1:1 UNIT: mm  
APVD 2010/10/08 SIZE: A3 SHEET: 1 OF 1 REV: A1

CUSTOMER COPY