

ELECTRICAL

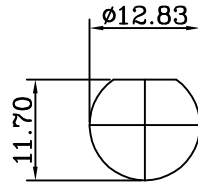
IMPEDANCE: 50/75 OHM(±5 OHM)
 FREQUENCY RANGE: 0 ~ 4.0 GHz
 WORKING VOLTAGE: 500 Vrms
 DIELECTRIC WITHSTANDING VOLTAGE: 1500 Vrms
 CONTACT RESISTANCE:

OUTER CONTACT 1.0 MEG OHM
 CENTRE CONTACT 1.5 MEG OHM
 INSULATION RESISTANCE: > 5000 MEG OHM

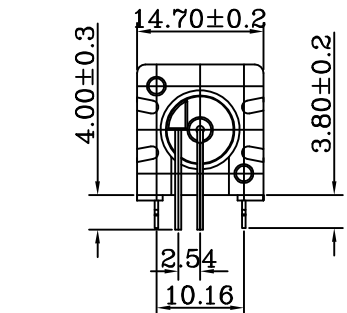
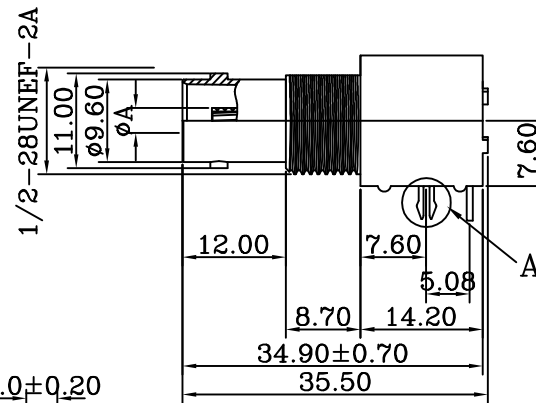
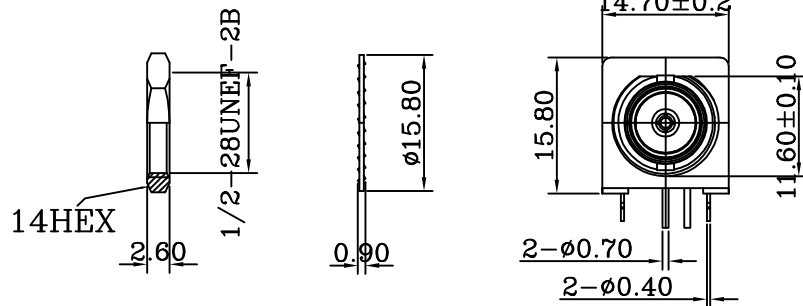
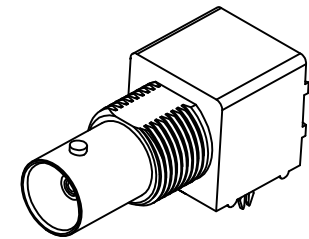
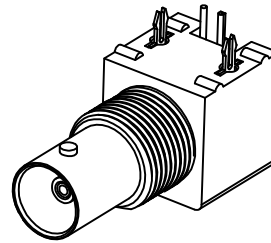
ENVIRONMENTAL

TEMPERATURE RANGE: -65°C TO 180°C

REV.	ECN NO OR DESCRIPTION	REVISED	DATE
------	-----------------------	---------	------

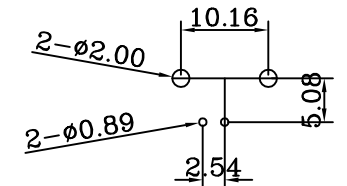
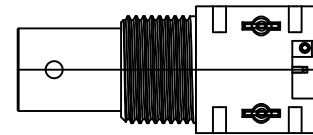
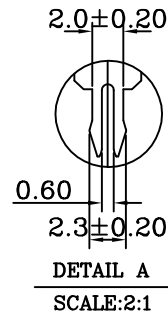


RECOMMENDED MOUNTING HOLE



RECOMMENDED PCB HOLE

MODEL NO.	φA	DRAWING NO.	IMPEDANCE
2RF-SB142B12HA11-4G	4.60		50 Ohm
2RF-SB142B22HA11-4G	3.00		75 Ohm



8	FIXTURE	P bronze	2	TIN PLATED
7	CONTACT WIRE	BRASS	1	TIN PLATED
6	PEDESTAL	PA66+30%GFR	1	NATURAL
5	CONTACT PIN	P-BRONZE	1	GOLD PLATED
4	INSULATOR	TEFLON	1	NATURAL
3	BODY	ZINC	1	NICKEL PLATED
2	WASHER	IRON	1	NICKEL PLATED
1	NUT	ZINC	1	NICKEL PLATED
ITEM	DESCRIPTION	MATERIAL	Q'TY	FINISHED

UNLESS OTHERWISE SPECIFIED TOLERANCES		Singatron Enterprise Co., Ltd.		
DECIMALS:	ANGLES:	TITLE	BNC JACK PCB MOUNT WITH 90°	
X : ±0.5	X : ±2'	DWN	Chq 2011/04/07	PART NO. 2RF-SB142BxHA11-4G
X.X : ±0.3	X.X : ±1'	CHKD	David 2011/04/07	SCALE 1:1 UNIT: mm
X.XX : ±0.2		APVD	Andy 2011/04/07	SIZE: A3 SHEET: 1 OF 1 REV: A1
CUSTOMER COPY				