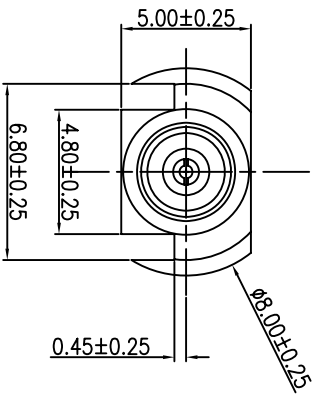
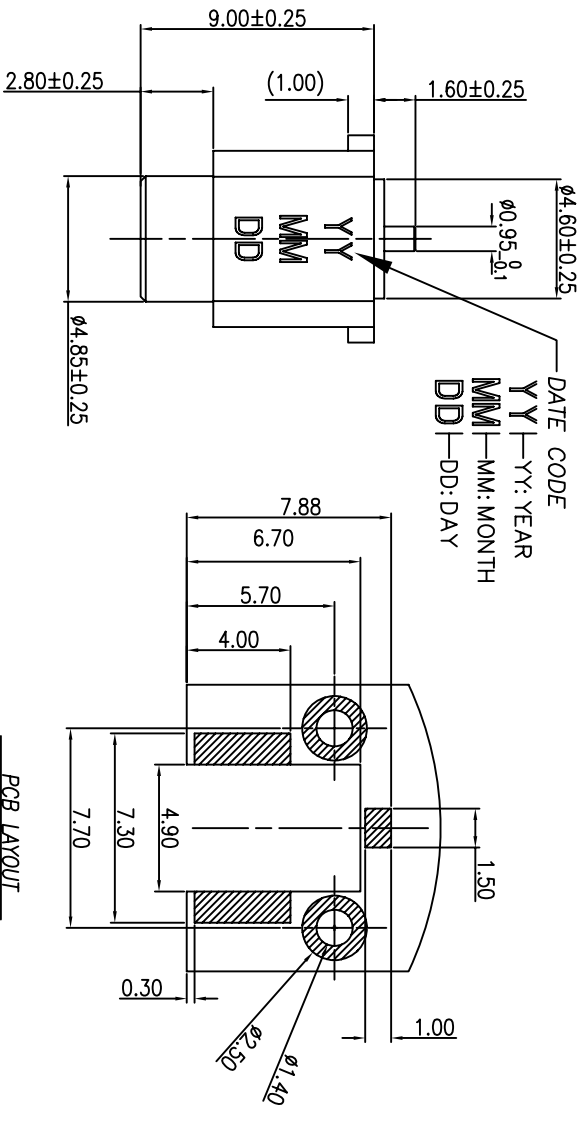


REV.	ECN NO OR DESCRIPTION	REVISED	DATE
A	PDR NO.:T090219-6A	JEFF	2009.07.28

DATE CODE
 YY—YY: YEAR
 MM—MM: MONTH
 DD—DD: DAY



PCB LAYOUT
 TOP VIEW (TOLERANCES:±0.05mm)
 (PCB THICKNESS:1.2mm)

SPECIFICATIONS:

1. ELECTRICAL CHARACTERISTICS:
 1-1. IMPEDANCE: 50Ω Nominal
 1-2. FREQUENCY RANGE: 0~6 GHz.
 1-3. VOLTAGE RATING: 335 Vrms
 1-4. DIELECTRIC WITHSTANDING VOLTAGE: 1,000 Volts.
 1-5. VSWR STRAIGHT CONNECTORS: 1.2/1
 1-6. CONTACT RESISTANCE:
 CENTER CONTACT: 5mΩ. Max.; OUTER CONTACT: 25mΩ Max.
 1-7. INSULATION RESISTANCE: 1,000 MΩ Min.
 1-8. INSERTION LOSS: 0.2 dB @ 1GHz Max.
2. MECHANICAL CHARACTERISTICS:
 2-1. ENGAGEMENT FORCE : 14 lbs max. (6.3kgf max.)
 2-2. DISENGAGEMENT FORCE :1.8 lbs. min.(0.8kgf min.)
 2-3. DURABILITY (MATING) : 500 cycles
3. OTHER GENERAL SPEC. TO REFER "2RF1000 SERIES SPEC."
 4. TO CONFORM TO ROHS SPEC.
 5. PRODUCT IDENTIFICATION LABEL ON PACKAGING: **RoHS**
 6. PACKAGING BY TAPE & REEL
 7. FOR REFLOW SOLDERING LEAD-FREE PROCESS.

C	Center Contact	1	Beryllium Copper	Plated Gold
B	Insulator	1	Teflon	White Color
A	Copper-Body	1	Brass	Plated Gold
NO	DESCRIPTION	QTY	MATERIAL	PLATING & COLOR
UNLESS OTHERWISE SPECIFIED TOLERANCES				
Singatron Enterprise Co., Ltd. 信普企業股份有限公司				
TITLE: MCX JACK				
DWN	EFF	PART NO.:	2RF1000-000111	
CHKD	AMEBA	SCALE:	5:1	UNIT: mm
APVD	JAK-110	SIZE:	A3	SHEET: 10F1
REV/A				
CUSTOMER COPY				

DECIMALS: ANGLES:

X :±0.5 X :±2
 X.X :±0.3 X.X :±1°
 X.XX :±0.2