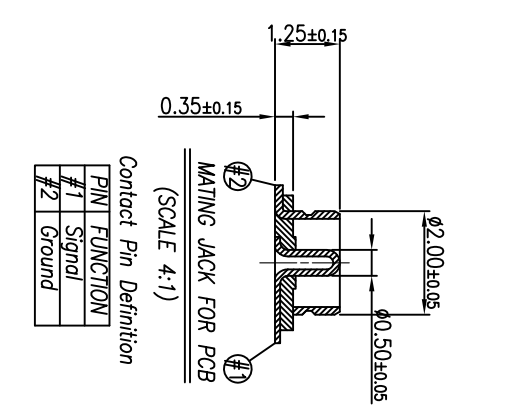
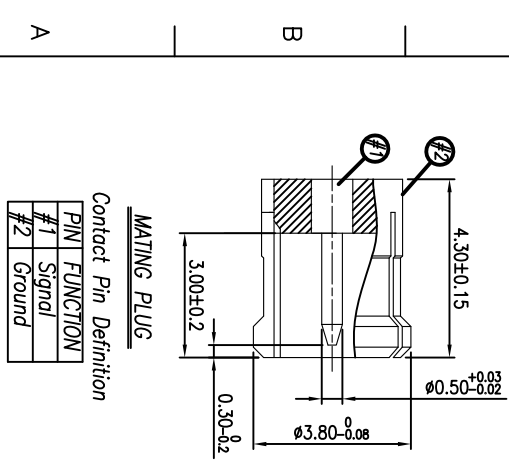
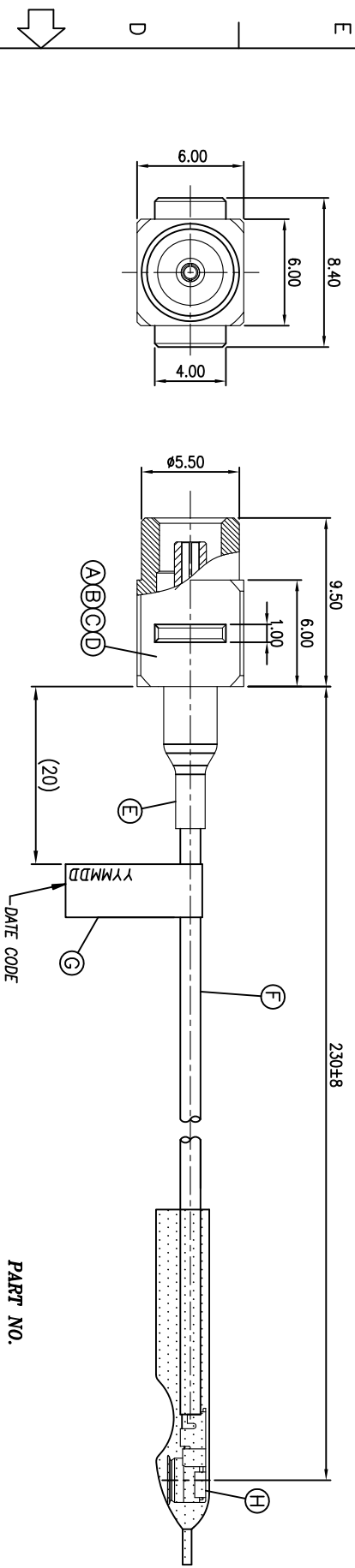


- SPECIFICATIONS:
1. IMPEDANCE : 50 Ω NOMINAL
  2. FREQUENCY RANGE : 0~3 GHz
  3. OTHER GENERAL SPEC. TO REFER "2RF1000-0020XX SPEC."
  4. TO CONFORM TO THE SINGATRON HSF SPEC.
  5. PRODUCT IDENTIFICATION LABEL ON PACKAGING:



MATING PLUG

Contact Pin Definition

PIN#	FUNCTION
#1	Signal
#2	Ground

MATING JACK FOR PCB  
(SCALE 4:1)

Contact Pin Definition

PIN#	FUNCTION
#1	Signal
#2	Ground

PART NO.  
**2RF1000-002000F**

TYPE: \_\_\_\_\_ F: HALOGEN FREE  
0: STRAIGHT 50Ω

ASSEMBLY: \_\_\_\_\_ SERIAL NO.  
2: FOR CABLE

H	Micro Coaxial Connector	1	BRASS	GOLD PLATING
G	LABEL	1	6x20mm	WHITE COLOR
F	WIRE	1	Ø1.13 Coaxial Cable	GRAY COLOR
E	HEAT SHRINK TUBE	1	Ø2.5x10L	BLACK COLOR
D	COPPER STOPPER	1	BRASS	GOLD PLATING
C	CENTER CONTACT	1	PHOSPHOR BRONZE	GOLD PLATING
B	INSULATOR	1	TEFLON	WHITE COLOR
A	COPPER BODY	1	BRASS	GOLD PLATING
NO	DESCRIPTION	QTY	MATERIAL	PLATING & COLOR

UNLESS OTHERWISE SPECIFIED TOLERANCES

DECIMALS: ANGLES:

X :±0.5 X :±2  
X.X :±0.3 X.X :±1'  
X.XX :±0.2

Singatron Enterprise Co., Ltd.  
信音企業股份有限公司

MCX CABLE ASSEMBLY

DWN: 2012.12.11 PART NO. 2RF1000-002000F  
CHKD: SCALE 4:1 UNIT: mm  
APVD: 2012.12.12 SIZE: A3 SHEET: 1 OF 1 REV: A

CUSTOMER COPY

REV.	ECN NO.	OR DESCRIPTION	REVISED	DATE
A		PRODUCT RELEASE	BERYL	2012.12.11