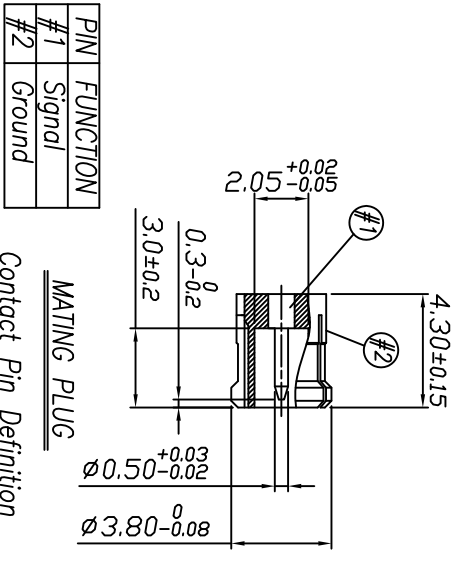
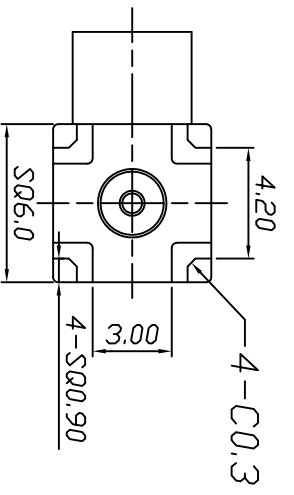
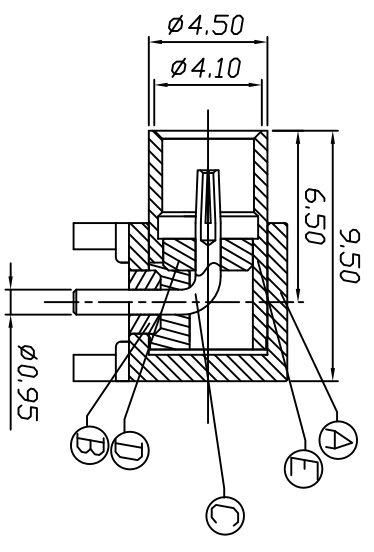
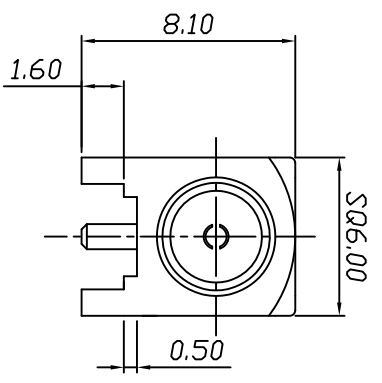
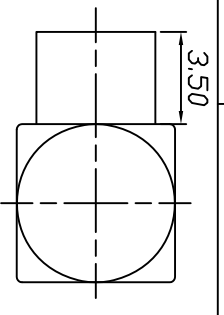


REV.	ECN NO OR PDR RELEASE	DESCRIPTION	REVISED	DATE
A			IVY-C	2011.09.01



PIN	FUNCTION
#1	Signal
#2	Ground

TOP VIEW PCB LAYOUT
(TOLERANCES: ±0.05mm)
(PCB THICKNESS: 1.6mm)

SPECIFICATIONS:

- ELECTRICAL CHARACTERISTICS:
 - 1-1. IMPEDANCE: 75Ω Nominal
 - 1-2. FREQUENCY RANGE: 0~1 GHz.
 - 1-3. VOLTAGE RATING: 170 Vrms
 - 1-4. DIELECTRIC WITHSTANDING VOLTAGE: 500 Volts.
 - 1-5. VSWR STRAIGHT CONNECTORS: 1.5 MAX.
 - 1-6. CONTACT RESISTANCE: CENTER CONTACT: 5mΩ. Max.; OUTER CONTACT: 2.5mΩ Max.
 - 1-7. INSULATION RESISTANCE: 1,000 MΩ Min.
 - 1-8. INSERTION LOSS: 0.2 dB @ 1GHz Max.
- MECHANICAL CHARACTERISTICS:
 - 2-1. ENGAGEMENT FORCE : 14 lbs max. (6.3kgf max.)
 - 2-2. DISENGAGEMENT FORCE : 1.8 lbs. min. (0.8kgf min.)
 - 2-3. DURABILITY (MATING) : 500 cycles
- OTHER GENERAL SPEC. TO REFER "2RF1000-051000F SPEC."
- TO CONFORM TO SINGATRON HAZARDOUS SUBSTANCE FREE SPEC.
- HALOGEN FREE PRODUCT IDENTIFICATION LABEL ON PACKAGING:
- PACKAGING BY TAPE & REEL, SEE "2RF1000-051000F" PACKAGE.
- FOR REFLOW SOLDERING LEAD-FREE PROCESS.



NO	DESCRIPTION	QTY	MATERIAL	PLATING & COLOR
E	SLEEVE	1	COPPER ALLOY	GOLD FLASH
D	INSULATOR-2	1	PA10T, UL 94V-0	WHITE COLOR
C	CENTER CONTACT	1	COPPER ALLOY	3U" GOLD PLATING
B	INSULATOR-1	1	PA10T, UL 94V-0	WHITE COLOR
A	BODY	1	ZINC ALLOY	GOLD FLASH

UNLESS OTHERWISE SPECIFIED TOLERANCES
 Singatron Enterprise Co., Ltd.
 信音企業股份有限公司

DECIMALS:	ANGLES:	TITLE
X : ±0.5	X : ±2°	M-CX R/A JACK
X.X : ±0.3	X.X : ±1°	DWN W-C 2011.09.01 PART NO: 2RF1000-051000F
X.XX : ±0.2		CHKD WNF 2011.09.01 SCALE 5:1 UNIT: mm
		APVD WNF 2011.09.01 SIZE: A3 SHEET: 10F1 REV: A

CUSTOMER COPY