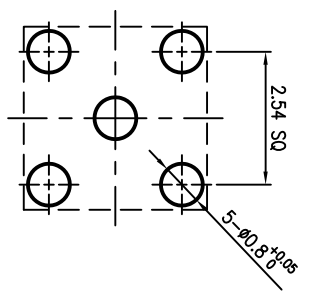
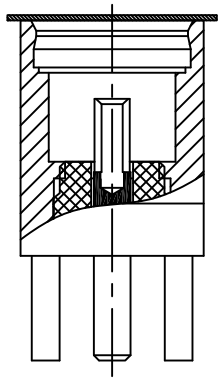
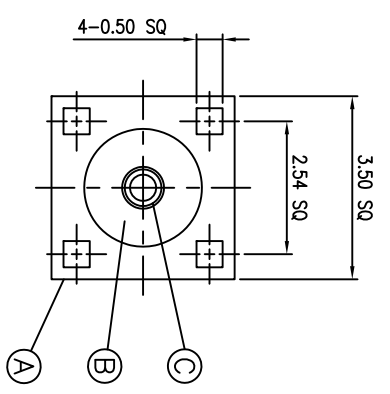
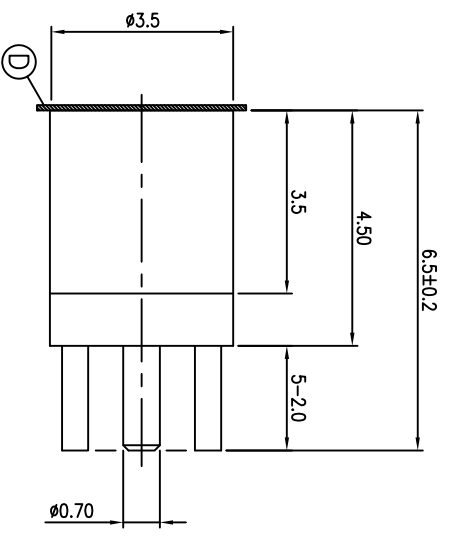
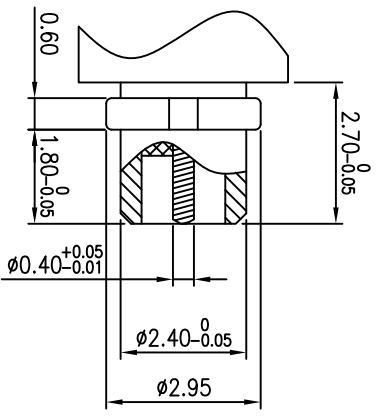


REV.	ECN NO.	OR DESCRIPTION	REVISED	DATE
A	PRODUCT RELEASE		JEFF	2010.07.22



PCB LAYOUT//((PCB THICKNESS:1.2mm))
TOP VIEW (TOLERANCES:±0.05mm)



MATING PLUG

- SPECIFICATIONS:
1. IMPEDANCE : 50 Ω NOMINAL
 2. FREQUENCY RANGE : 0~6 GHz
 3. VOLTAGE RATING : 170 Vrms
 4. OTHER GENERAL SPEC. TO REFER "2RF1001 SERIES SPEC".
 5. TO CONFORM TO THE EU RoHS DIRECTIVE.
 6. PRODUCT IDENTIFICATION LABEL ON PACKAGING: **RoHS**
 7. PACKAGING BY TAPE & REEL

D	MYLAR	1	KAPTON L4W4	YELLOW
C	CENTER CONTACT	1	Phosphor Bronze	Gold Plated
B	INSULATOR	1	Teflon	White Color
A	COPPER BODY	1	Brass	Gold Plated
NO	DESCRIPTION	QTY	MATERIAL	PLATING & COLOR
UNLESS OTHERWISE SPECIFIED TOLERANCES				
Singatron Enterprise Co., Ltd. 信音企業股份有限公司				
DECIMALS: ANGLES:				
X	:±0.5	X	:±2°	
X.X	:±0.3	X.X	:±1'	
X.XX	:±0.2			
TITLE: MMXX ST JACK				
DWN	HT 201022	PART NO	2RF1001-001000	
CHKD	AMEA 201026	SCALE	10:1	UNIT: mm
APVD	AMEA 201026	SIZE: A3	SHEET: 1 OF 1	REV: A
CUSTOMER COPY				