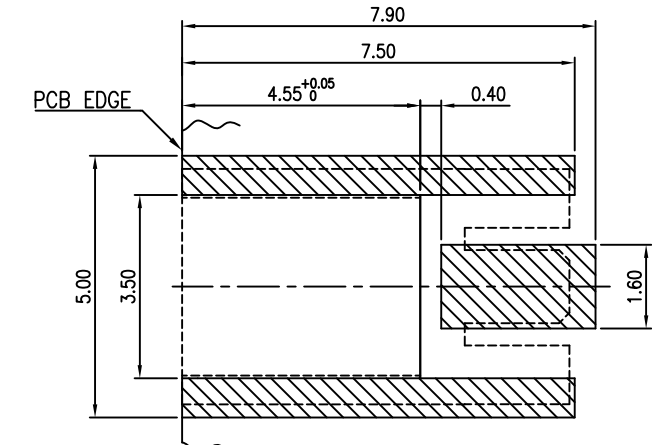
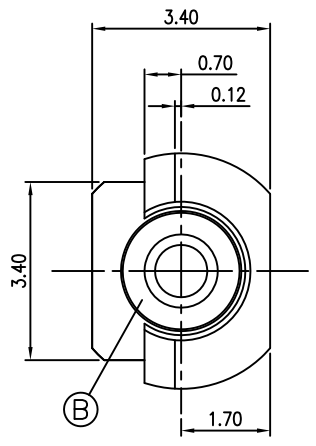
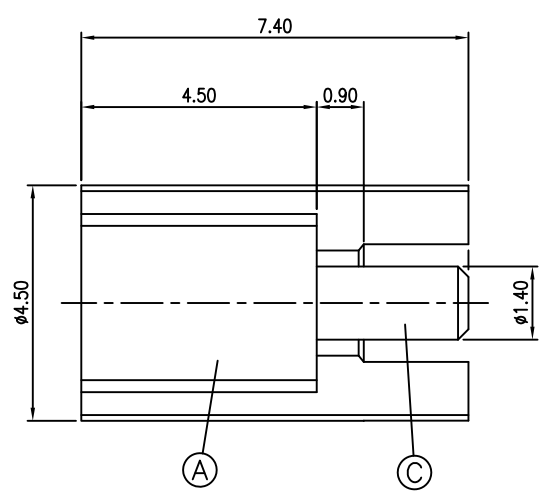
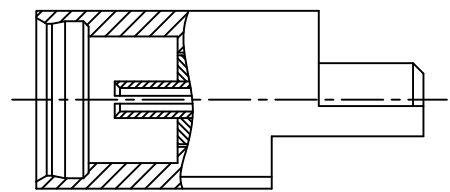
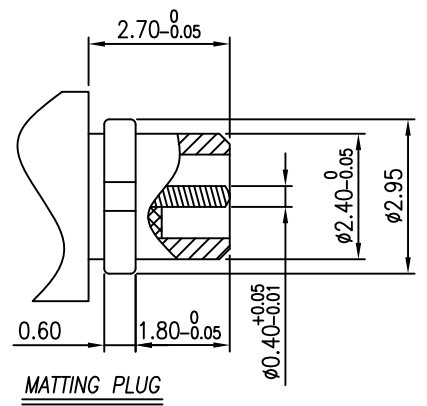


REV.	ECN NO OR DESCRIPTION	REVISED	DATE
A	PRODUCT RELEASE	BERYL	2010.07.30

- SPECIFICATIONS:
1. IMPEDANCE : 50 Ω NOMINAL
 2. FREQUENCY RANGE : 0~6 GHz
 3. VOLTAGE RATING : 170 Vrms
 4. OTHER GENERAL SPEC. TO REFER "2RF1001 SERIES SPEC".
 5. TO CONFORM TO THE EU RoHS DIRECTIVE.
 6. PRODUCT IDENTIFICATION LABEL ON PACKAGING: **RoHS**
 7. PACKAGING BY TAPE & REEL.



RECOMMENDED PCB LAYOUT
 TOP VIEW (TOLERANCES:±0.05mm)
 (PCB THICKNESS:1.2mm)



PART NO.
2RF1001-001101

SERIAL NO.

ASSEMBLY:
 11: FOR SMT PCB

TYPE 1: STD JACK

TYPE 2: STRAIGHT 50Ω

C	CENTER CONTACT	1	PHOSPHOR BRONZE	GOLD FLASH
B	INSULATOR	1	TEFLON	WHITE COLOR
A	COPPER_BODY	1	BRASS	GOLD FLASH
NO	DESCRIPTION	QTY	MATERIAL	PLATING & COLOR
UNLESS OTHERWISE SPECIFIED TOLERANCES			Singatron Enterprise Co., Ltd. 信音企業股份有限公司	
DECIMALS:		TITLE		
X	:±0.5	MMCX ST JACK		
X.X	:±0.3	DWN	BERYL 2010.08.03	PART NO.2RF1001-001101
X.XX	:±0.2	CHKD	JEFF 2010.08.03	SCALE 10:1 UNIT: mm
		APVD	JCK-HUD	SIZE: A3 SHEET:1 OF 1 REV: A
CUSTOMER COPY				