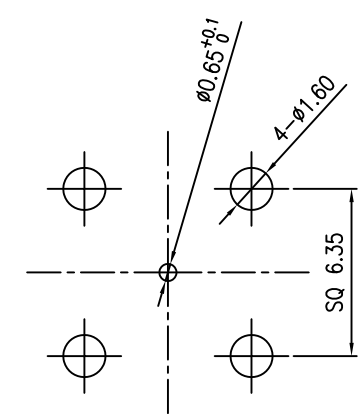
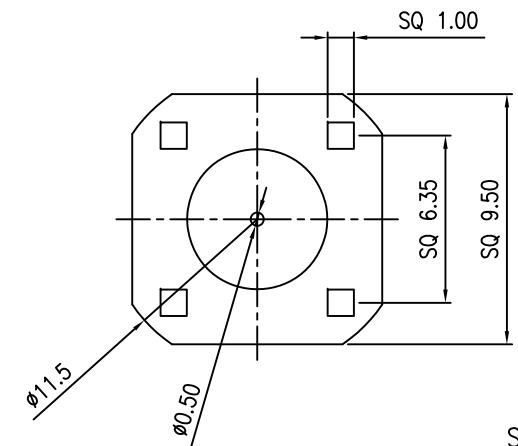
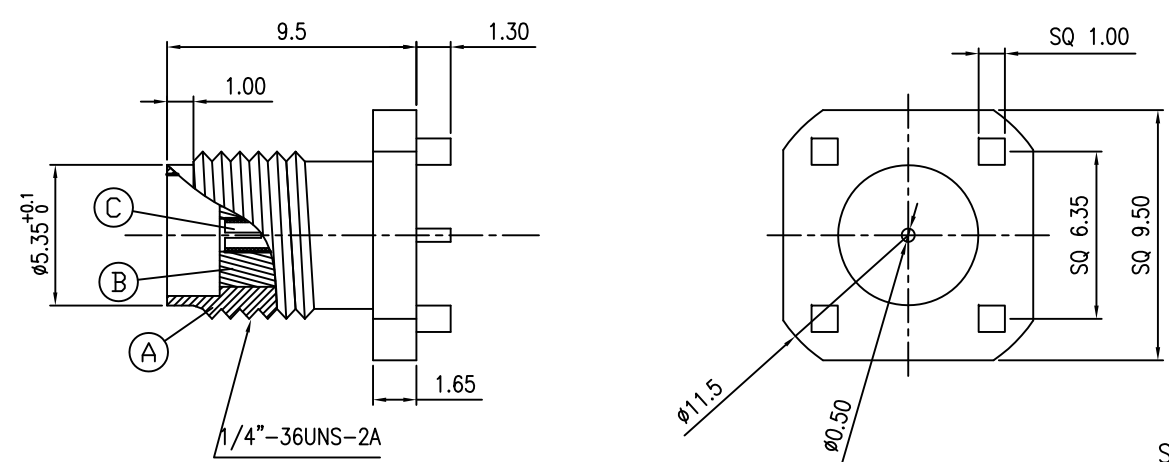
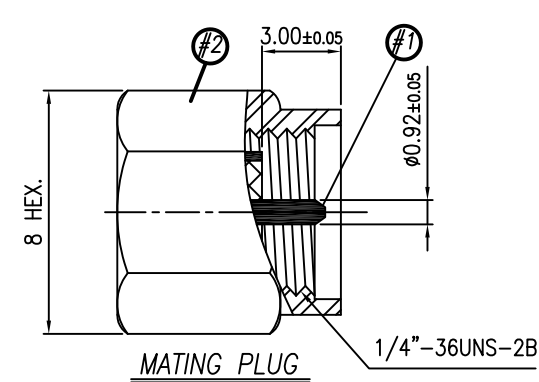


REV.	ECN NO OR DESCRIPTION	REVISED	DATE
A	PRODUCT RELEASE	BERYL	2009.10.30



RECOMMENDED
PCB HOLE LAYOUT
(TOP VIEW) TOLERANCE: ±0.05



MATING PLUG

Contact Pin Definition

PIN	FUNCTION
#1	Signal
#2	Ground

- SPECIFICATIONS:
1. IMPEDANCE : 50 Ω NOMINAL
 2. FREQUENCY RANGE : 0~6 GHz
 3. VOLTAGE RATING : 335 Vrms
 4. OTHER GENERAL SPEC. TO REFER "2RF1002-000110 SPEC".
 5. TO CONFORM TO THE EU RoHS DIRECTIVE.
 6. PRODUCT IDENTIFICATION LABEL ON PACKAGING: **RoHS**

NO	DESCRIPTION	QTY	MATERIAL	PLATING & COLOR
C	CENTER CONTACT	1	BERYLLIUM COPPER	Au30μ ^m min, Under plating Ni50μ ^m min.
B	INSULATOR	1	Teflon	White Color
A	COPPER_BODY	1	Brass	Gold Flash, Under plating Ni50μ ^m min.

UNLESS OTHERWISE SPECIFIED TOLERANCES

Singatron Enterprise Co., Ltd.
信音企業股份有限公司

DECIMALS:	ANGLES:	TITLE	SMA ST JACK		
X : ±0.5	X : ±2°	DWN	BERYL 2009.10.30	PART NO. 2RF1002-000110	
X.X : ±0.3	X.X : ±1°	CHKD	ANGELA 2009.10.30	SCALE 5:1	UNIT: mm
X.XX : ±0.2		APVD	JACK-KUO	SIZE: A3	SHEET: 1 OF 1 REV: A

CUSTOMER COPY