

REV/ECN NO OR DESCRIPTION	REVISED	DATE
A PDR RELEASE	INV-C	2011.06.02

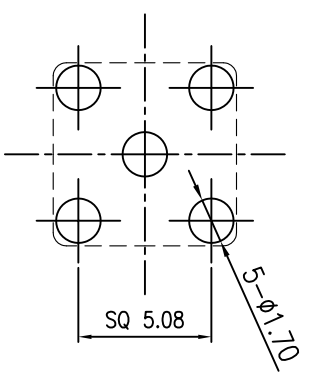
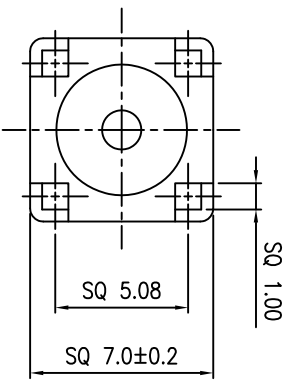
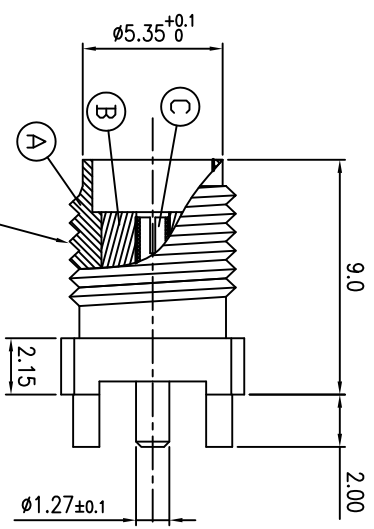
**SPECIFICATIONS:**

1. IMPEDANCE : 50  $\Omega$  NOMINAL
2. FREQUENCY RANGE : 0~6 GHz
3. VOLTAGE RATING : 335 Vrms
4. OTHER GENERAL SPEC. TO REFER "2RF1002-001002 SPEC."
5. TO CONFORM TO THE SINGATRON HAZARDOUS SUBSTANCE FREE SPEC.
6. HALOGEN FREE PRODUCT IDENTIFICATION LABEL ON PACKAGING:
7. PACKAGE: SEE "2RF1002-001002" PACKAGE.
8. FOR REFLOW SOLDERING LEAD-FREE PROCESS.

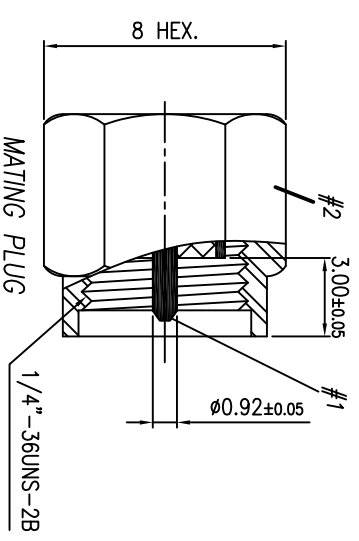


**PART NO.**  
**2RF1002-001002F**

TYPE 1 \_\_\_\_\_ HALOGEN FREE  
 0: STRAIGHT 50 $\Omega$  SERIAL NO.  
 TYPE 2 \_\_\_\_\_  
 ASSEMBLY: \_\_\_\_\_  
 1: FOR PCB 0: JACK



RECOMMENDED  
PCB HOLE LAYOUT  
(TOP VIEW) TOLERANCE:  $\pm 0.05$



Contact Pin Definition

PIN FUNCTION	#1	Signal
	#2	Ground

C	CENTER CONTACT	1	PHOSPHOR BRONZE	GOLD FLASH
B	INSULATOR	1	TEFLON	WHITE
A	COPPER BODY	1	BRASS	GOLD FLASH
NO	DESCRIPTION	QTY	MATERIAL	PLATING & COLOR

UNLESS OTHERWISE SPECIFIED TOLERANCES

DECIMALS:	ANGLES:
X : $\pm 0.5$	X : $\pm 2^\circ$
X.X : $\pm 0.3$	X.X : $\pm 1^\circ$
X.XX : $\pm 0.2$	

TITLE	SMA JACK FOR PCB MOUNT, STRAIGHT
DWN	INC-2011.06.02
CHKD	INC-12011.06.02
APVD	INC-12011.06.02
PART NO.	2RF1002-001002F
SCALE	1:1
UNIT	mm
SIZE	A3
SHEET	1 OF 1
REV	A

CUSTOMER COPY

Singatron Enterprise Co., Ltd.  
信音企業股份有限公司