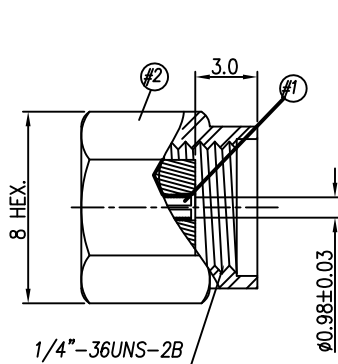


REV.	ECN NO OR DESCRIPTION	REVISED	DATE
A	PDR RELEASE	IVY-C	2013.01.31

PART NO.:
2RF1010-001004F

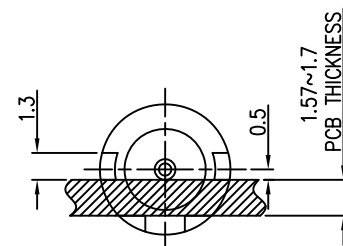
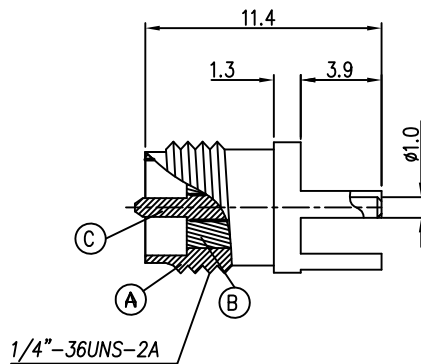
NO.:	STATEMENT
0	Hold Back
0	STRAIGHT 50Ω
1	FOR PCB
0	JACK
04	SERIES NO.
F	HALOGEN FREE



MATING PLUG

PIN	FUNCTION
#1	Signal
#2	Ground

Contact Pin Definition



SPECIFICATIONS:

1. IMPEDANCE : 50 Ω NOMINAL
2. FREQUENCY RANGE : 0~6 GHz
3. VOLTAGE RATING : 335 Vrms
4. OTHER GENERAL SPEC. TO REFER "2RF1002-001004F SPEC".
5. TO CONFORM TO THE SINGATRON HAZARDOUS SUBSTANCE FREE SPEC.
6. HALOGEN FREE PRODUCT IDENTIFICATION LABEL ON PACKAGING.
7. PACKAGE: SEE "2RF1002-001004F" PACKAGE.
8. FOR WAVE SOLDERING LEAD-FREE PROCESS.

NO	DESCRIPTION	QTY	MATERIAL	PLATING & COLOR
C	CENTER CONTACT	1	BRASS	Gold Flash, Under plating Ni70μ ² min.
B	INSULATOR	1	POM	White Color
A	COPPER BODY	1	ZN	Gold Flash, Under plating Ni70μ ² min.

UNLESS OTHERWISE SPECIFIED TOLERANCES

Singatron Enterprise Co., Ltd.
信音企業股份有限公司

DECIMALS:	ANGLES:	TITLE	R-SMA-ST-JACK	
X : ±0.5	X : ±2°	DWN	IVY-C 2013.01.31	PART NO: 2RF1002-001004F
X.X : ±0.3	X.X : ±1°	CHKD	DAND-T 2013.01.31	SCALE 4:1 UNIT: mm
X.XX : ±0.2		APVD	DAND-T 2013.01.31	SIZE: A3 SHEET: 10F1 REV: A

CUSTOMER COPY