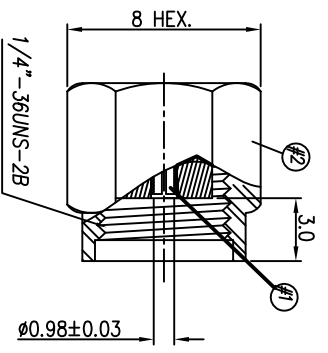


REV.	ECN NO OR DESCRIPTION	REVISED	DATE
A	PDR RELEASE	IVY-C	2013.03.08

PART NO.:

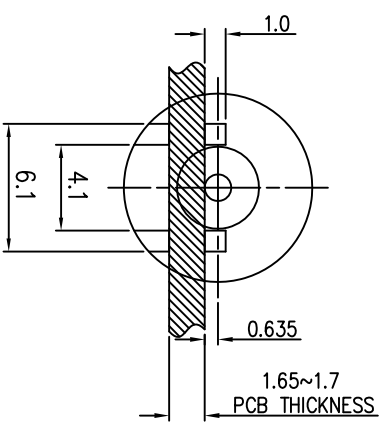
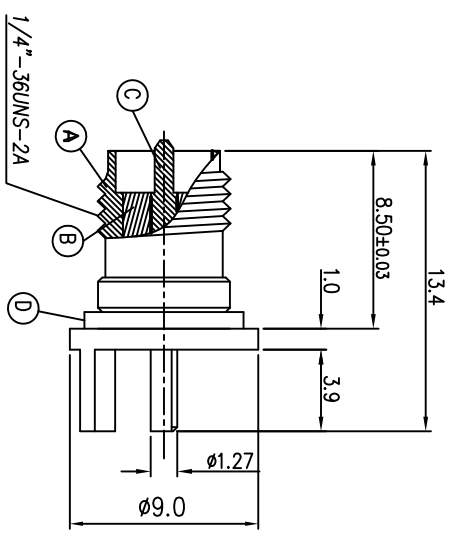
2RF1010-001005F

NO.:	STATEMENT
0	Hold Back
0	STRAIGHT 50Ω
1	FOR PCB
0	JACK
05	SERIES NO.
F	HALOGEN FREE



MATING PLUG	
#1	Signal
#2	Ground

Contact Pin Definition



SPECIFICATIONS:

1. IMPEDANCE : 50 Ω NOMINAL
2. FREQUENCY RANGE : 0~6 GHz
3. VOLTAGE RATING : 335 Vrms
4. OTHER GENERAL SPEC. TO REFER "2RF1002-001004F SPEC."
5. TO CONFORM TO THE SINGATRON HAZARDOUS SUBSTANCE FREE SPEC.
6. HALOGEN FREE PRODUCT IDENTIFICATION LABEL ON PACKAGING.
7. PACKAGE: SEE "2RF1002-001005F" PACKAGE.
8. FOR HAND SOLDERING LEAD-FREE PROCESS.

D	GASKET	1	KE-971IU	Red Color
C	CENTER CONTACT	1	BRASS	Gold Flash, Under plating Ni70μ/min.
B	INSULATOR	1	POW	White Color
A	COPPER BODY	1	ZN	Cold Flash, Under plating Ni70μ/min.
NO	DESCRIPTION	QTY	MATERIAL	PLATING & COLOR

UNLESS OTHERWISE SPECIFIED TOLERANCES

DECIMALS:	ANGLES:
X : ±0.5	X : ±2°
X.X : ±0.3	X.X : ±1'
X.XX : ±0.2	

TITLE	R-SMA-ST-JACK
DWN	IVY-C 2013.03.08
CHKD	IVY-H 2013.03.08
APVD	IVY-H 2013.03.08
PART NO.:	2RF1002-001005F
SCALE:	4:1
UNIT:	mm
SIZE:	A3
SHEET:	10F1
REV.:	A

Singatron Enterprise Co., Ltd.
信音企業股份有限公司
CUSTOMER COPY