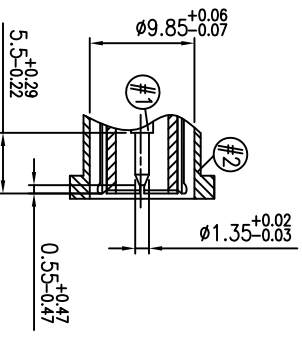
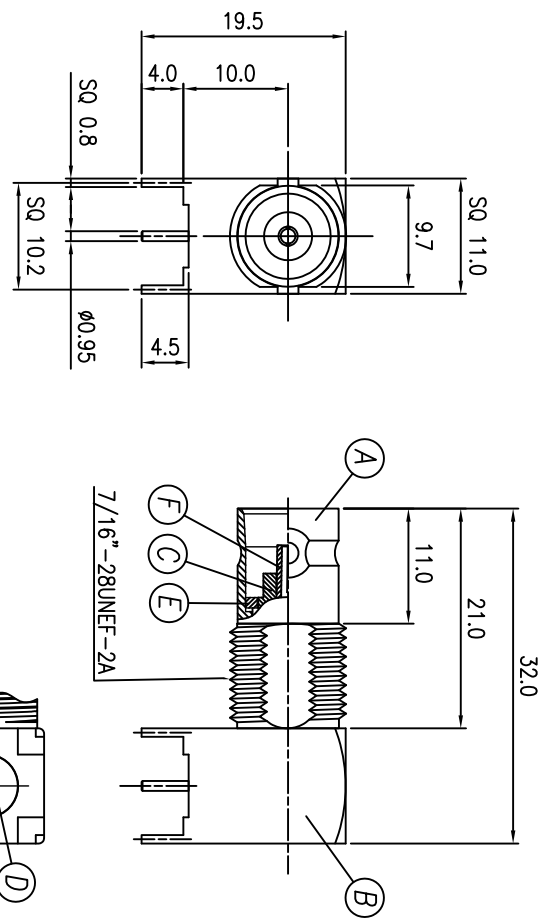


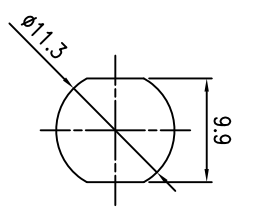
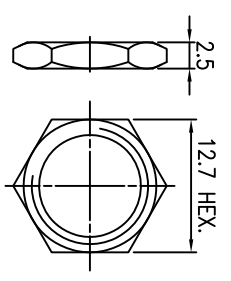
REV.	ECN NO OR DESCRIPTION	REVISED	DATE
A	PRODUCT RELEASE	BERYL	2010.1.18

- SPECIFICATIONS:
1. IMPEDANCE : 75 Ω NOMINAL
 2. FREQUENCY RANGE : 0~1 GHz
 3. VOLTAGE RATING : 500 Vrms
 4. OTHER GENERAL SPEC. TO REFER "2RF1005-061100 SPEC"
 5. TO CONFORM TO THE EU ROHS DIRECTIVE.
 6. PRODUCT IDENTIFICATION LABEL ON PACKAGING: **RoHS**
 7. PACKAGING BY PET TRAY.

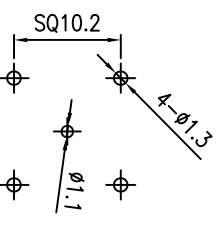


MATING PLUG
Contact Pin Definition

PIN	FUNCTION
#1	Signal
#2	Ground



MOUNTING HOLE
(TOLERANCES:±0.05mm)



PCB LAYOUT
TOP VIEW (TOLERANCES:±0.05mm)
(PCB THICKNESS:1.6mm)

G	NUT(ACCESSORIZE)	2	BRASS	NICKEL PLATING
F	CENTER CONTACT	1	PHOSPHOR BRONZE	GOLD PLATING
E	RING	1	BRASS	NICKEL PLATING
D	INSULATOR-2	1	TEFLON	WHITE COLOR
C	INSULATOR-1	1	TEFLON	WHITE COLOR
B	COPPER BODY-2	1	BRASS	NICKEL PLATING
A	COPPER BODY-1	1	BRASS	NICKEL PLATING
NO	DESCRIPTION	QTY	MATERIAL	PLATING & COLOR

UNLESS OTHERWISE SPECIFIED TOLERANCES

DECMALS: ANGLES:

X	:±0.5	X	:±2°
X.X	:±0.3	X.X	:±1'
X:XX	:±0.2		

TITLE: **BNC R/A JACK**

DWN: **BERYL 2010.1.18** PART NO: **2RF1005-061100**

CHKD: **JEFF 2010.1.18** SCALE: **2:1** UNIT: **mm**

APVD: **AMEBA 2010.1.18** SIZE: **A3** SHEET: **10F1** REV: **A**

Singtron Enterprise Co., Ltd.
信通企業股份有限公司

CUSTOMER COPY