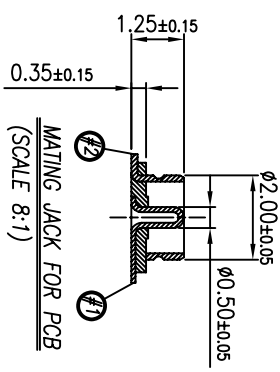
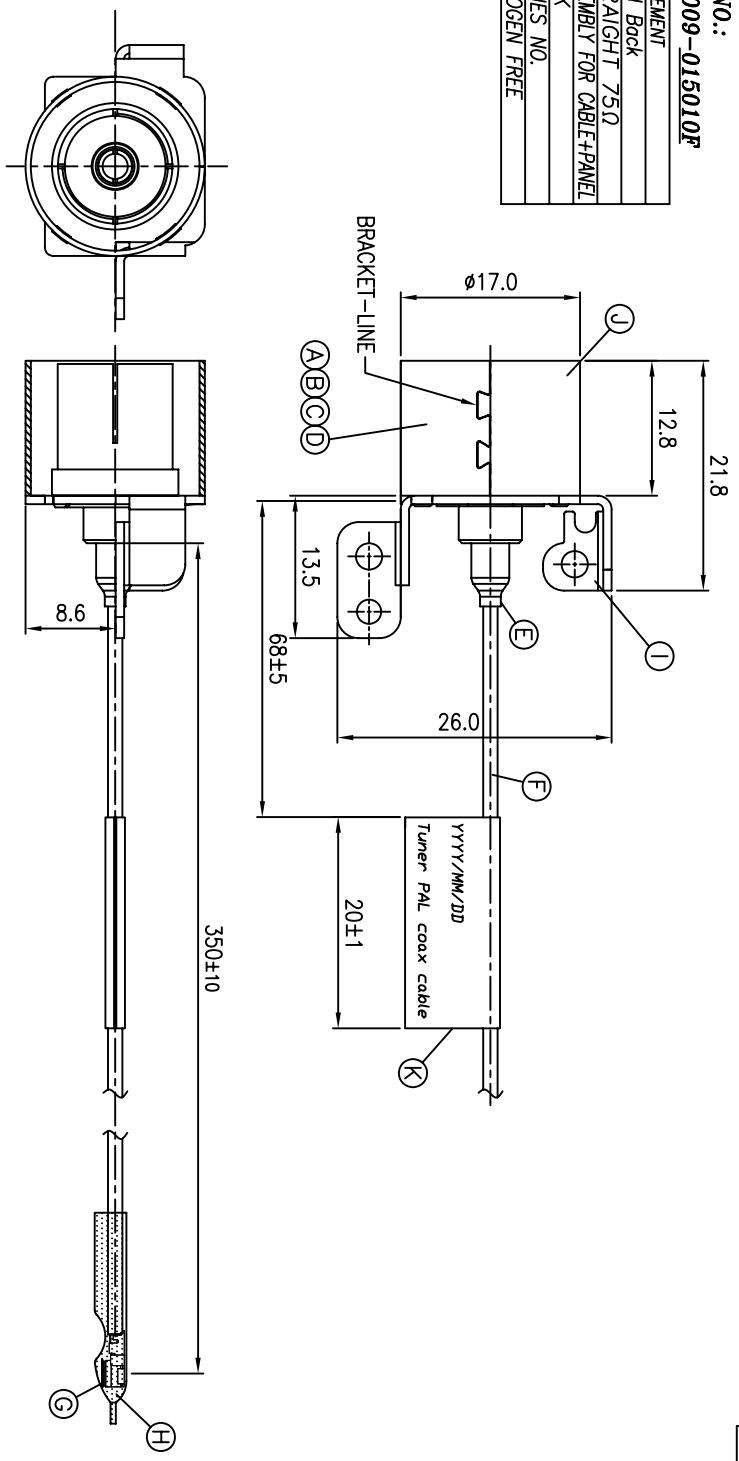


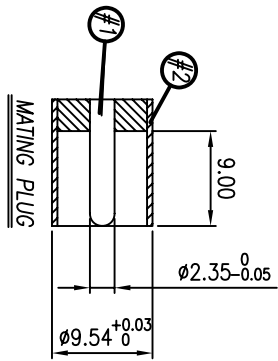
**PART NO.:**  
**2RF1009-015010F**

NO.:	STATEMENT
0	Hold Back
1	STRAIGHT 75Ω
5	ASSEMBLY FOR CABLE+PANEL
0	JACK
10	SERIES NO.
F	HALOGEN FREE



**MATING JACK FOR PCB**  
(SCALE 8:1)

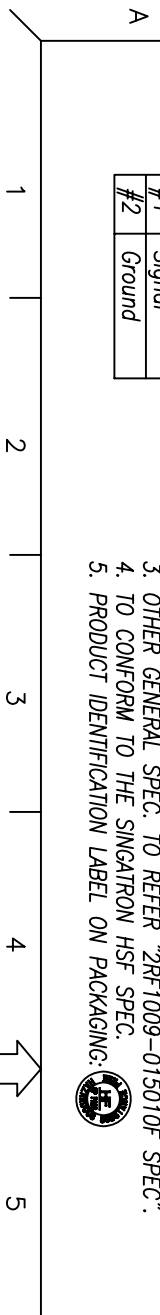
PIN	FUNCTION
#1	Signal
#2	Ground



**Contact Pin Definition**

PIN	FUNCTION
#1	Signal
#2	Ground

SPECIFICATIONS: (TYPE PAL )  
 1. IMPEDANCE : 75 Ω for IEC NORMAL  
 2. FREQUENCY RANGE : 0~1 GHz  
 3. OTHER GENERAL SPEC. TO REFER "2RF1009-015010F SPEC."  
 4. TO CONFORM TO THE SINGATRON HSF SPEC.  
 5. PRODUCT IDENTIFICATION LABEL ON PACKAGING:



REV.	ECN NO OR DESCRIPTION	REVISED	DATE
A	PRODUCT RELEASE	BERYL	2012.05.25

K	LABEL	1	20x18mm	WHITE COLOR
J	BRACKET COVER	1	SPCC 0.5t	NICKEL PLATING
I	BRACKET	1	SPCC 0.8t	NICKEL PLATING
H	PROTECT TUBE	1	Ø3.0x.20L	TRANSPARENT COLOR
G	MIRCO COAXIAL CONN.	1	BRASS	GOLD PLATING
F	WIRE	1	Ø1.37 COAXIAL CABLE	GRAY COLOR
E	HEAT SHRINK TUBE	1	Ø3x6L	BLACK COLOR
D	COPPER ALLOY	1	BRASS	NICKEL PLATING
C	CENTER CONTACT	1	BRASS	GOLD FLASH
B	INSULATOR	1	TEFLON_HF	WHITE COLOR
A	COPPER BODY	1	BRASS	NICKEL PLATING
NO	DESCRIPTION	1	MATERIAL	PLATING & COLOR

UNLESS OTHERWISE SPECIFIED TOLERANCES

DECIMALS:	ANGLES:
X : ±0.5	X : ±2°
X.X : ±0.3	X.X : ±1°
X.XX : ±0.2	

Singatron Enterprise Co., Ltd.  
信亨企業股份有限公司

**Cable Assembly(PAL)**

DWN	BERL 2012.5.25	PART NO. 2RF1009-015010F
CHKD	LEF 2012.5.28	SCALE 2:1
APVD	AMEL 2012.5.28	SIZE: A3

SHEET: 1 OF 1 REV: A

**CUSTOMER COPY**