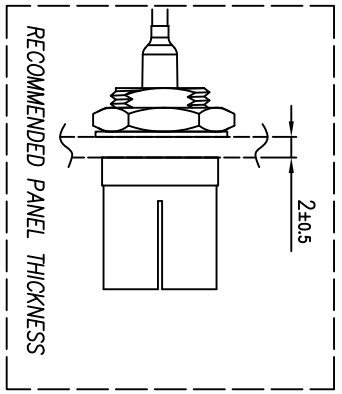
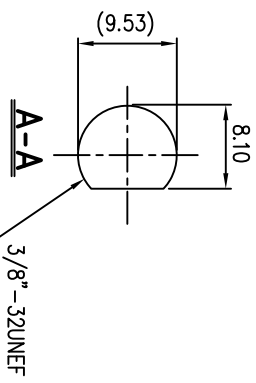
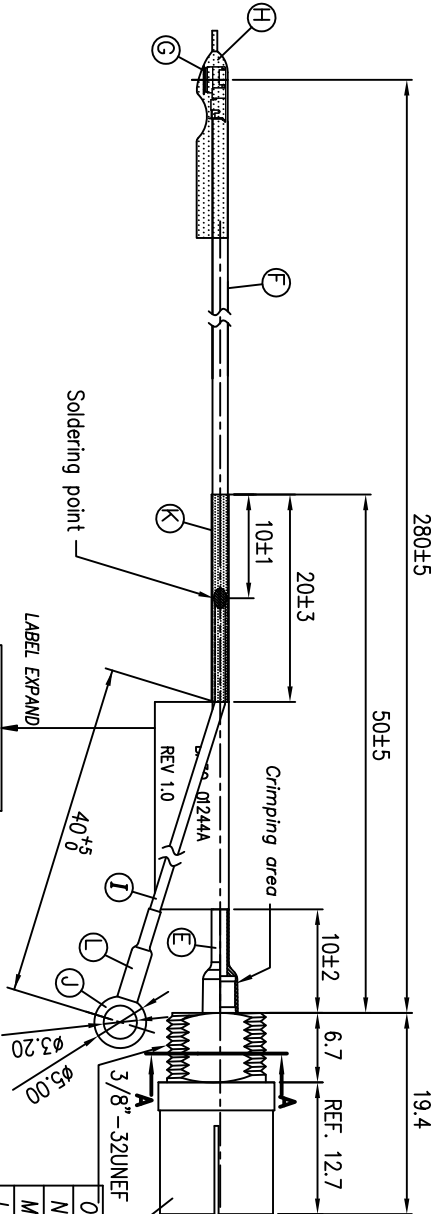
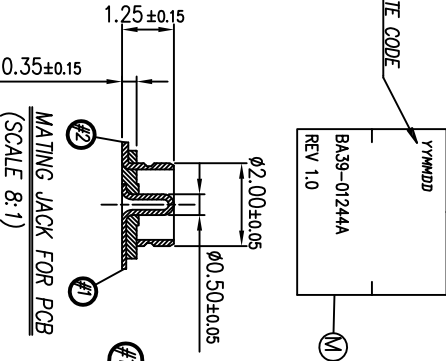


**PART NO.:**  
**2RF1009-015011F**

NO. STATEMENT	0	Hold Back
1	STRAIGHT 75Ω	
5	ASSEMBLY FOR CABLE+PANEL	
0	JACK	
11	SERIES NO.	
F	HALOGEN FREE	

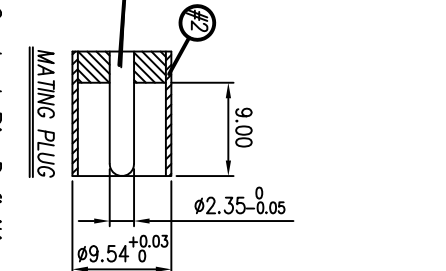


**SPECIFICATIONS:**  
 1. IMPEDANCE : 75 Ω for IEC NOMINAL  
 2. FREQUENCY RANGE : 0~1 GHz  
 3. OTHER GENERAL SPEC. TO REFER "2RF1009-015008F SPEC."  
 4. TO CONFORM TO THE SINGATRON HSF SPEC  
 5. PRODUCT IDENTIFICATION LABEL ON PACKAGING:



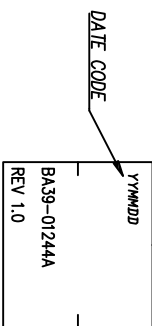
**MATING JACK FOR PCB**  
(SCALE 8:1)

CONTACT PIN	FUNCTION
#1	Signal
#2	Ground



**MATING PLUG**

CONTACT PIN	FUNCTION
#1	Signal
#2	Ground



A 1 2 3 4 5 6 7 8

REV	ECN NO	OR DESCRIPTION	REVISED	DATE
A	PDR NO. TT20110-4A	PRODUCT RELEASE	BERYL	2012.04.24
B	ECN NO. TT30032		JEFF	2013.06.07

0	NUT	1	BRASS	NICKEL PLATING
N	WASHER	1	BRASS 0.5t	NICKEL PLATING
M	LABEL	1	20x18mm	WHITE COLOR
L	HEAT SHRINK TUBE	1	ø2.5x10L	BLACK COLOR
K	HEAT SHRINK TUBE	1	ø2.5x20L	BLACK COLOR
J	O-TERMINAL	1	OD: 5 ; ID: 3.2	MAAT. TIN PLATING
I	WIRE	1	UL10368 26AWG	BLACK COLOR
H	PROTECT TUBE	1	ø3.0x20L	TRANSPARENT COLOR
G	Micro Coaxial Conn.	1	BRASS	GOLD PLATING
F	WIRE	1	ø1.37 Coaxial Cable	GRAY COLOR
E	HEAT SHRINK TUBE	1	ø2.5x10L	BLACK COLOR
D	COPPER STOPPER	1	BRASS	NICKEL PLATING
C	CENTER CONTACT	1	BRASS	GOLD FLASH
B	INSULATOR	1	TEFLON	WHITE COLOR
A	COPPER BODY	1	BRASS	NICKEL PLATING
NO	DESCRIPTION	QTY	MATERIAL	PLATING & COLOR

UNLESS OTHERWISE SPECIFIED TOLERANCES

DECIMALS: ANGLES:

X	:±0.5	X	:±2°
X.X	:±0.3	X.X	:±1°
X.XX	:±0.2		

Singatron Enterprise Co., Ltd.  
信音企業股份有限公司

**Cable Assembly(PAL)**

DWN	JTF 2013.7	PART NO. 2RF1009-015011F
CHKD		SAMUNG PART NUMBER: 01244A
APVD	MAEHC 2013.7	SCALE 2:1 UNIT: mm
		SIZE: A3 SHEET: 1 OF 1 REV: B

CUSTOMER COPY