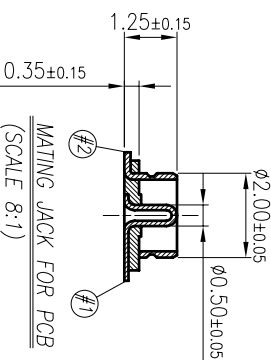
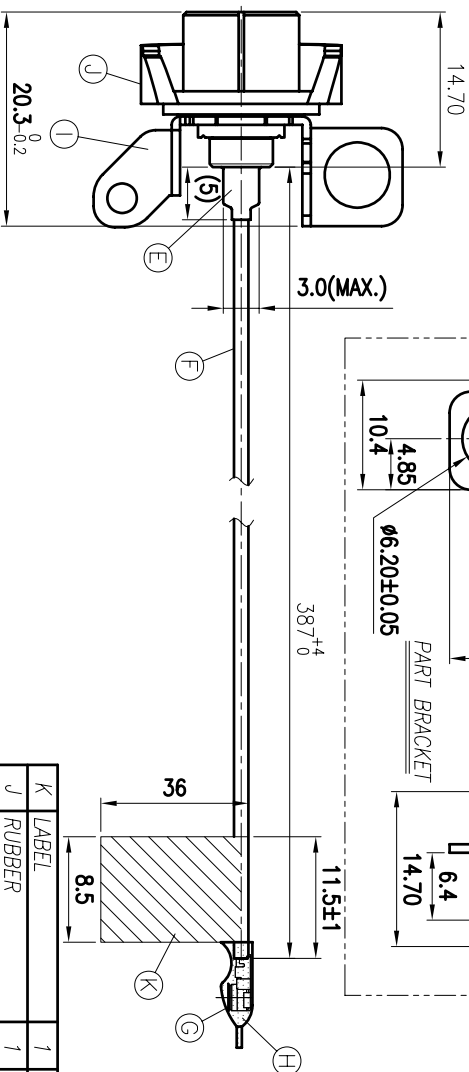
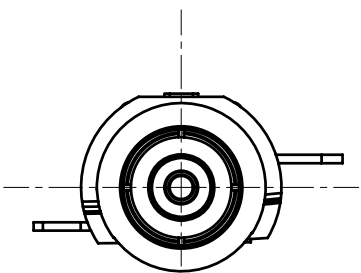
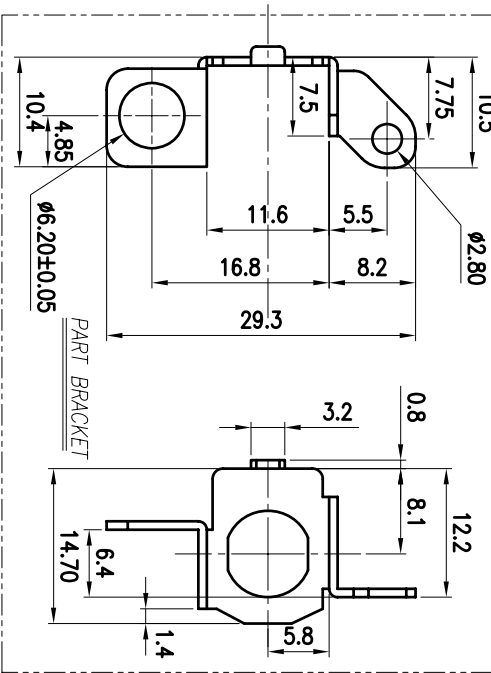
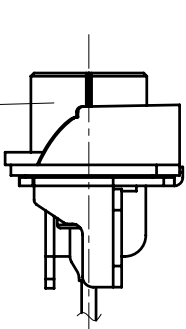


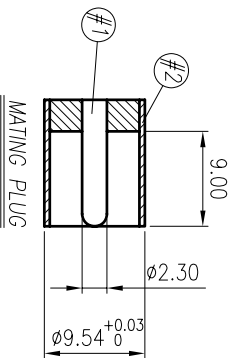
PART NO.:
2RF1009-015016H

NO.	STATEMENT
0	Hold Back
1	STRAIGHT 75Ω
5	ASSEMBLY FOR CABLE+PANEL
0	JACK
16	SERIES NO.
H	HALOGEN



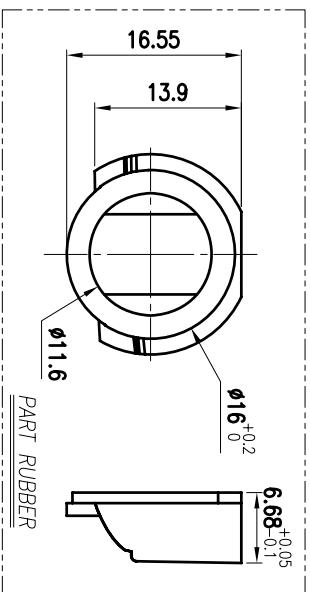
MATING JACK FOR PCB
(SCALE 8:1)

PIN	FUNCTION
#1	Signal
#2	Ground



Contact Pin Definition

PIN	FUNCTION
#1	Signal
#2	Ground



SPECIFICATIONS: (TYPE PAL)

1. IMPEDANCE : 75 Ω for IEC NORMAL
2. FREQUENCY RANGE : 0~2 GHz
3. OTHER GENERAL SPEC. TO REFER "2RF1009-X150XXH SPEC";
4. TO CONFORM TO THE EU RoHS DIRECTIVE.
5. PRODUCT IDENTIFICATION LABEL ON PACKAGING: **RoHS**

A B C D E F

1

2

3

4

5

6

7

8

REV.	ECN NO OR DESCRIPTION	REVISED	DATE
A	PDR NO.:120423-1A PRODUCT RELEASE	JEFF	2012.06.13

K	LABEL	1	72x8.5	WHITE COLOR
J	RUBBER	1	CHLOROPRENE	BLACK COLOR
I	BRACKET	1	SPCC 0.8T	NICKEL PLATING
H	PROTECT TUBE	1	Ø3.0	TRANSPARENT COLOR
G	MIRCO COAXIAL CONN.	1	COPPER ALLOY	GOLD PLATING
F	WIRE	1	Ø1.37 COAXIAL CABLE	BLACK COLOR
E	HEAT SHRINK TUBE	1	Ø3x5L	BLACK COLOR
D	COPPER STOPPER	1	BRASS	NICKEL PLATING
C	CENTER CONTACT	1	BRASS	GOLD FLASH
B	INSULATOR	1	TEFLON	WHITE COLOR
A	COPPER BODY	1	BRASS	NICKEL PLATING
NO	DESCRIPTION	QTY	MATERIAL	PLATING & COLOR

UNLESS OTHERWISE SPECIFIED TOLERANCES

DECIMALS: ANGLES:

X	:±0.5	X	:±2°
X.X	:±0.3	X.X	:±1°
X.XX	:±0.2		

Singatron Enterprise Co., Ltd.
信音企業股份有限公司

Cable Assembly(PAL)

PART NO.2RF1009-015016H

TITLE	SCALE	UNIT	SHEET	REV.
DWN	2:1	mm	1 OF 1	A
CHKD	2:1	mm		
APVD	SIZE: A3			

CUSTOMER COPY