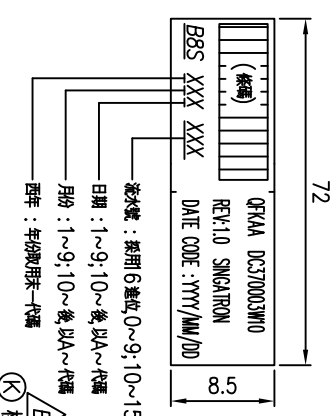
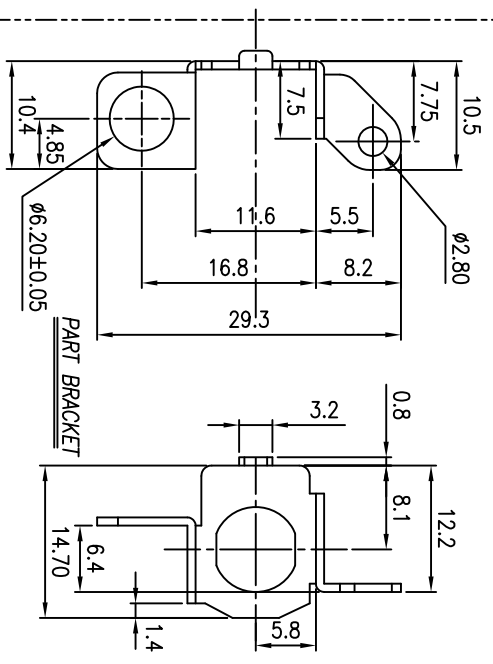
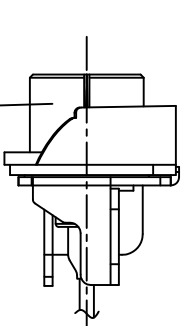


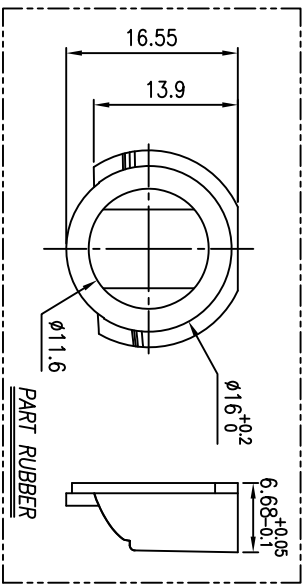
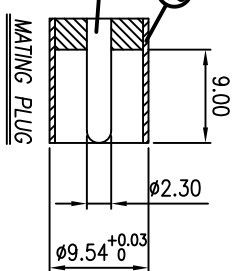
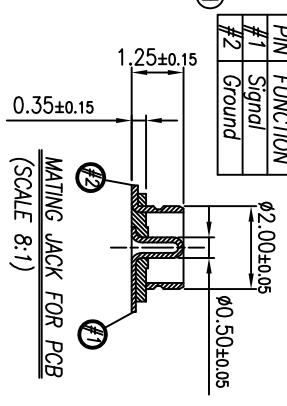
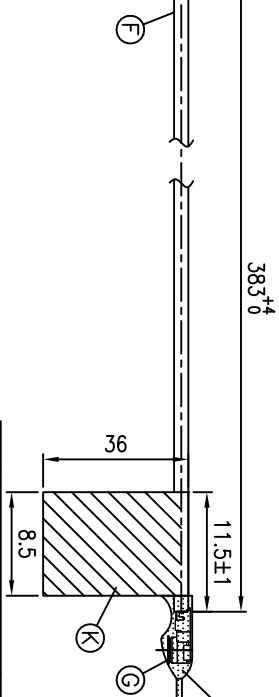
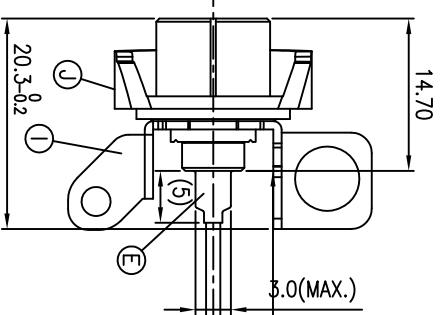
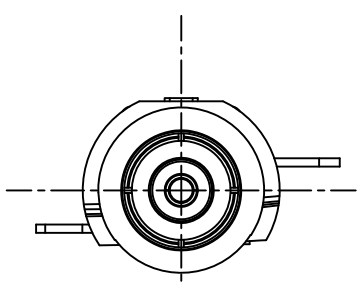
PART NO.:
2RF1009-015111H

NO.:	STATEMENT
0	Hold Back
1	STRAIGHT 75Ω
5	ASSEMBLY FOR CABLE+PANEL
1	JACK
11	SERIES NO.
H	HALOGEN



GRMA D057003SW10
REV:1.0 SINGATRON
DATE CODE: YYYY/MM/DD

波長: 採用6連位0~9;10~15以A~F代碼
日期: 1~9;10~後以A~代碼
月份: 1~9;10~後以A~代碼
西曆: 年/月/日



Contact Pin Definition

PIN	FUNCTION
#1	Signal
#2	Ground

SPECIFICATIONS: (TYPE PAL)

1. IMPEDANCE: 75 Ω for IEC NORMAL
2. FREQUENCY RANGE: 0~2 GHz
3. OTHER GENERAL SPEC. TO REFER "2RF1009-015111H SPEC."
4. TO CONFORM TO THE EU ROHS DIRECTIVE.
5. PRODUCT IDENTIFICATION LABEL ON PACKAGING: **RoHS**

K	LABEL	1	72x8.5	WHITE COLOR
J	RUBBER	1	CHLOROPRENE	BLACK COLOR
I	BRACKET	1	SPCC 0.8T	NICKEL PLATING
H	PROTECT TUBE	1	Φ3.0	TRANSPARENT COLOR
G	MRCO COAXIAL CONN.	1	COPPER ALLOY	GOLD PLATING
F	WIRE	1	Φ1.37 COAXIAL CABLE	BLACK COLOR
E	HEAT SHRINK TUBE	1	Φ3x5L	BLACK COLOR
D	COPPER STOPPER	1	BRASS	NICKEL PLATING
C	CENTER CONTACT	1	BRASS	GOLD FLASH
B	INSULATOR	1	TEFLON	WHITE COLOR
A	COPPER BODY	1	BRASS	NICKEL PLATING
NO	DESCRIPTION	QTY	MATERIAL	PLATING & COLOR

UNLESS OTHERWISE SPECIFIED TOLERANCES

DECIMALS:	ANGLES:
X :±0.5	X :±2
XX :±0.3	XX :±1
XXX :±0.2	

REV.	ECN NO OR DESCRIPTION	REVISED	DATE
A	PRODUCT RELEASE	JEFF	2012.06.13
B	ECN:T120117	JEFF	2012.09.13

Singatron Enterprise Co., Ltd.
信音企業股份有限公司

Cable Assembly(PAL)

DWN	REF 2012.03	PART NO. 2RF1009-015111H
CHKD	REF 2012.03	SCALE 2:1 UNIT: mm
APVD	AMEA 2012.03	SIZE: A3 SHEET: 1 OF 1 REV: B

CUSTOMER COPY