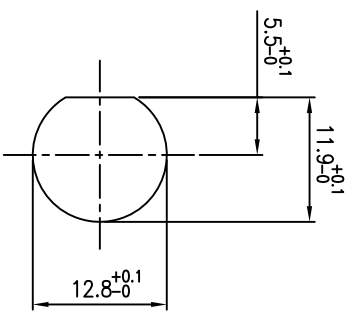
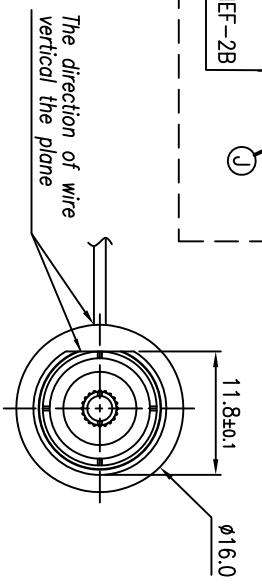
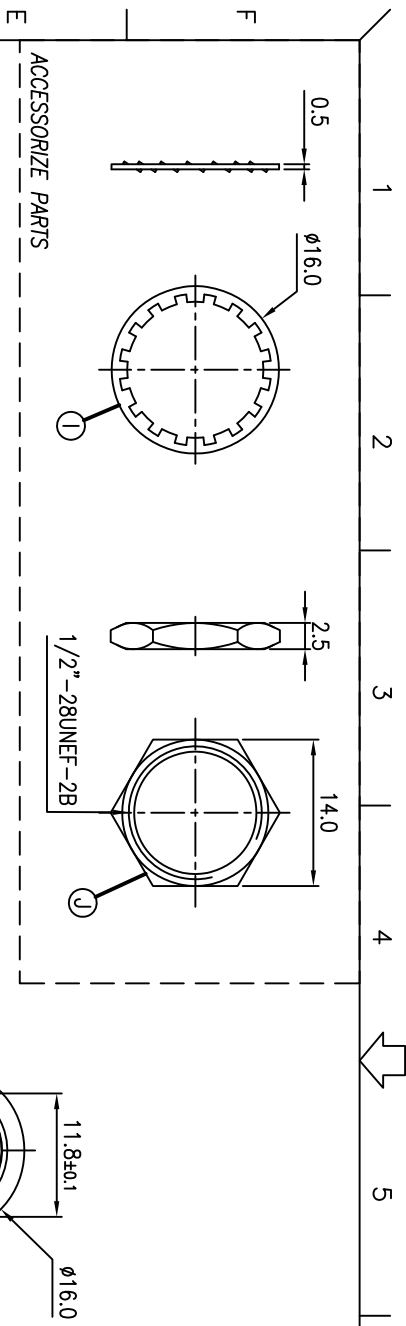
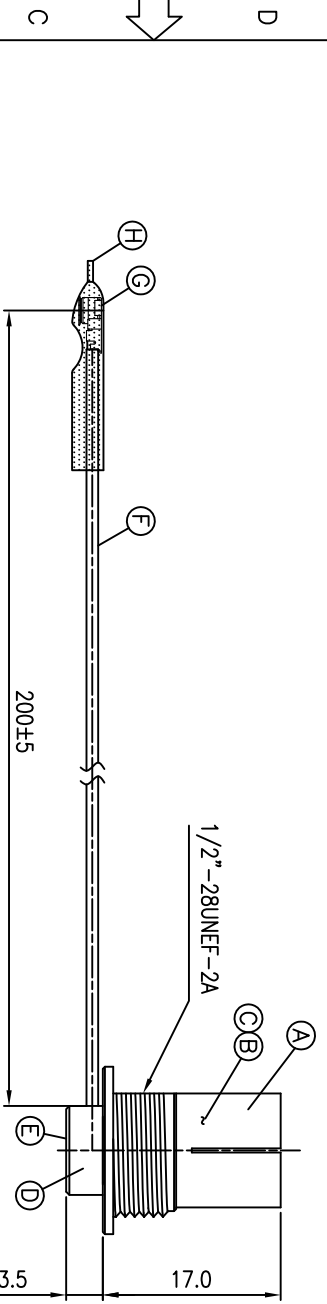


REV/ECN NO OR DESCRIPTION	REVISED	DATE
A PRODUCT RELEASE	BERYL	2010.05.06
B ECN NO:T100011	BERYL	2010.06.18
C ECN NO:T100017	BERYL	2011.03.28



RECOMMENDED MOUNTING HOLE



PART NO.
2RF1009-062000

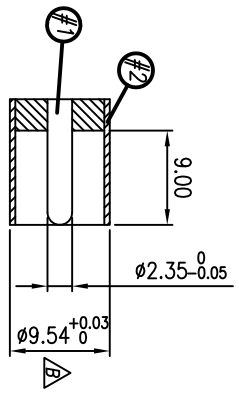
TYPE 1:
0: STD JACK

ASSEMBLY:
20: FOR CABLE

TYPE 2:
6: RIGHT ANGLE 75Ω

- SPECIFICATIONS: (RF CONN. PAL TYPE)
1. IMPEDANCE : 75 Ω for IEC NOMINAL
 2. FREQUENCY RANGE : 0~2 GHz
 3. TEMPERATURE RANGE : -55~+125 °C
 4. VSWR : 1.5 (Max.)
 5. INSERTION LOSS : 0.5 dB AT 1 GHz (100% TEST)
 6. OTHER GENERAL SPEC. TO REFER "2RF1009-0620XX SPEC."
 7. TO CONFORM TO THE EU ROHS DIRECTIVE.
 8. PRODUCT IDENTIFICATION LABEL ON PACKAGING: **RoHS**

MATING PLUG



Contact Pin Definition

PIN	FUNCTION
#1	Signal
#2	Ground

J	NUT	1	ZINC ALLOY	NICKEL PLATING
I	WASHER	1	SPCC 0.5t	NICKEL PLATING
H	EP PROTECT TUBE	1	φ3.0x20L	TRANSPARENT COLOR
G	Micro Coaxial Conn.	1	(50 ohm)Brass	GOLD FLASH
F	WIRE (75 ohm)	1	φ1.37 Coaxial Cable	BLACK COLOR
E	COPPER COVER	1	BRASS	NICKEL PLATING
D	COPPER STOPPER	1	BRASS	NICKEL PLATING
C	CENTER CONTACT	1	BRASS	GOLD FLASH
B	INSULATOR	1	TEFLON-PIFE	WHITE COLOR
A	COPPER BODY	1	BRASS	NICKEL PLATING
NO	DESCRIPTION	QTY	MATERIAL	PLATING & COLOR

UNLESS OTHERWISE SPECIFIED TOLERANCES

DECIMALS: ANGLES:

X : ±0.5 X : ±2°

X.X : ±0.3 X.X : ±1'

X.XX : ±0.2 X.XX : ±10.2

Singatron Enterprise Co., Ltd.
信音企業股份有限公司

Cable Assembly(PAL+EP)

DWN BERL 2011.12.8 PART NO.2RF1009-062000

CHKD JEF 2011.12.8 SCALE 2:1 UNIT: mm

APVD MABA 2011.12.8 SIZE: A3 SHEET: 1 OF 1 REVD: C

CUSTOMER COPY