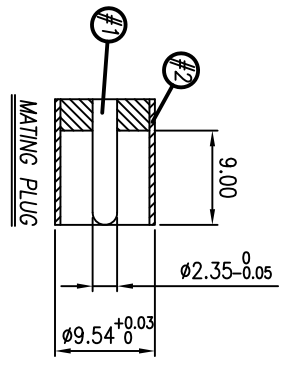
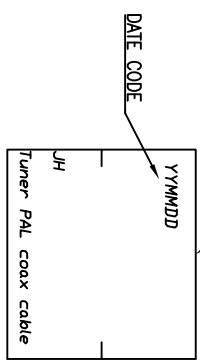
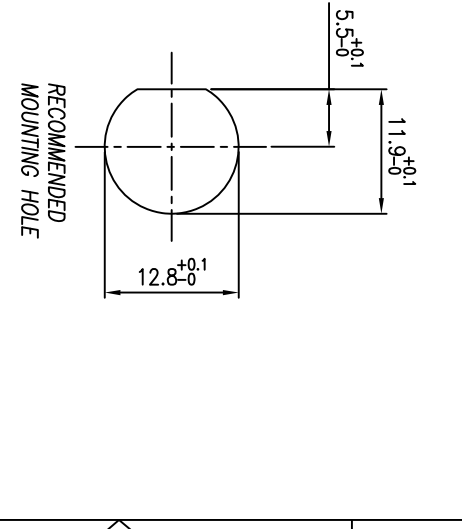
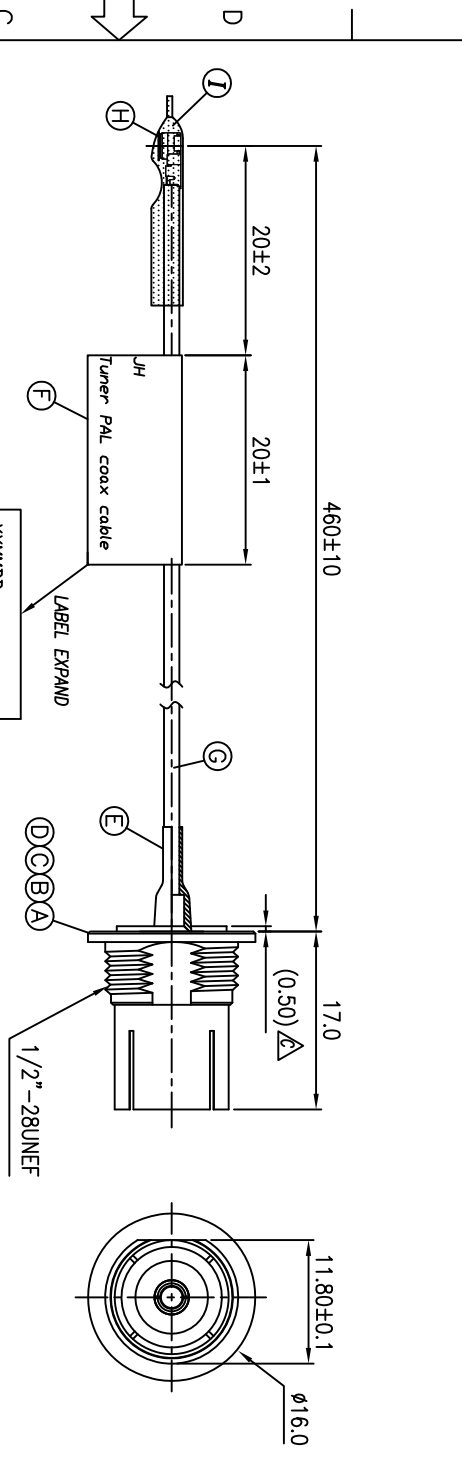


PART NO.
2RF1009-115003F

F: HALOGEN FREE
 SERIES NO.
 ASSEMBLY:
 5: FOR CABLE+PANEL
 TYPE
 1: STRAIGHT 75Ω

FREQUENCY:
 1: LOW

REV.	ECN NO OR DESCRIPTION	REVISED	DATE
A	PRODUCT RELEASE	JEFF	2010.12.28
B	ECN NO. T110009 Modify wire color: gray → black color	BERYL	2011.05.23
C	ECN NO. T110053	BERYL	2012.01.17



- SPECIFICATIONS: (RF CONN. PAL TYPE)**
1. IMPEDANCE : 75 Ω for IEC NOMINAL
 2. FREQUENCY RANGE : 0~1 GHz
 3. OTHER GENERAL SPEC. TO REFER "2RF1009-X150XXF SPEC".
 4. TO CONFORM TO THE SINGATRON HSF SPEC.
 5. PRODUCT IDENTIFICATION LABEL ON PACKAGING.



Contact Pin Definition

Pin	FUNCTION
#1	Signal
#2	Ground

NO	DESCRIPTION	QTY	MATERIAL	PLATING & COLOR
K	NUT	1	ZINC ALLOY	NICKEL PLATING
J	WASHER	1	SPCC 0.5T	NICKEL PLATING
I	EP PROTECT TUBE	1	Ø3.0x2.0L	TRANSPARENT COLOR
H	Micro Coaxial Conn.	1	(50 ohm) Brass	GOLD PLATING
G	WIRE	1	Ø1.37 Coaxial Cable	BLACK COLOR
F	LABEL	1	20x18mm	WHITE COLOR
E	HEAT SHRINK TUBE	1	Ø2.5x10L	BLACK COLOR
D	COPPER STOPPER	1	ZINC ALLOY	NICKEL PLATING
C	CENTER CONTACT	1	PHOSPHOR BRONZE	GOLD FLASH
B	INSULATOR	1	POLYCARBONATE_HF	WHITE COLOR
A	ALLOY BODY	1	ZINC ALLOY	NICKEL PLATING

UNLESS OTHERWISE SPECIFIED TOLERANCES

Singatron Enterprise Co., Ltd.
 信音企業股份有限公司

Cable Assembly(PAL+EP)

TITLE	DECIMALS:	ANGLES:
DWN	±0.5	X ±2°
CHKD	±0.3	X.X ±1°
APVD	±0.2	X.XX ±0.2

CUSTOMER COPY