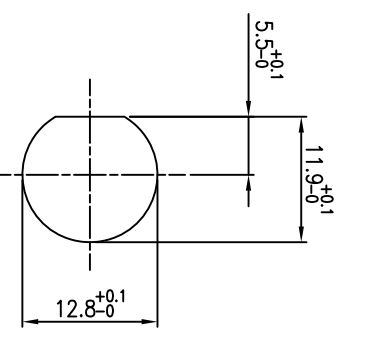
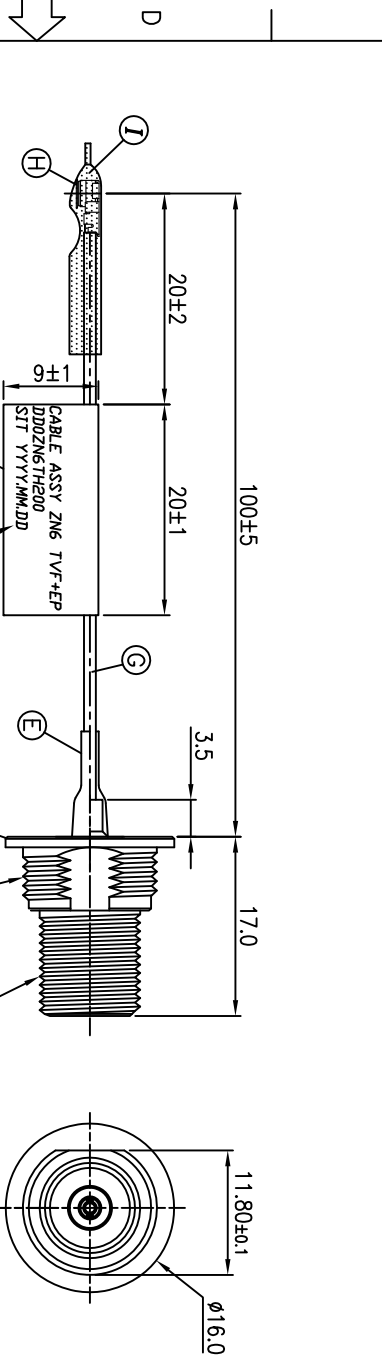


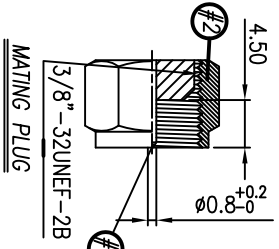
PART NO.
2RF1010-015000

TYPE 1: STD JACK
 ASSEMBLY: 50: FOR CABLE+PANEL
 TYPE 2: STRAIGHT 75Ω



RECOMMENDED MOUNTING HOLE

- SPECIFICATIONS: (RF CONN. F TYPE)**
1. IMPEDANCE : 75 Ω for NTSC NOMINAL
 2. FREQUENCY RANGE : 0~2 GHz
 3. TEMPERATURE RANGE : -55~+125 °C
 4. VSWR : 1.5 (Max.)
 5. INSERTION LOSS : 0.5 dB AT 1 GHz (100% TEST)
 6. OTHER GENERAL SPEC. TO REFER "2RF1010-015000 SPEC".
 7. TO CONFORM TO THE EU ROHS DIRECTIVE.
 8. PRODUCT IDENTIFICATION LABEL ON PACK. **RoHS:**



MATING PLUG

Contact Pin Definition

PIN	FUNCTION
#1	Signal
#2	Ground

REV.	ECN NO OR DESCRIPTION	REVISED	DATE
A	DCN NO.T091016-2A(02) PRODUCT RELEASE	BERYL	2010.02.09
B	ECN NO.T100006	BERYL	2010.03.15
C	ECN NO.T110061	BERYL	2011.12.23

K	NUT	1	BRASS	N60u" min. Plating
J	WASHER	1	BRASS	N60u" min. Plating
I	EP PROTECT TUBE	1	Ø3.0x2.0L	TRANSPARENT COLOR
H	Micro Coaxial Conn. (EP137)	1	(50 ohm)BRASS	GOLD PLATING
G	WIRE (75 ohm)	1	Ø1.37 Coaxial Cable	BLACK COLOR
F	LABEL	1	20x18	WHITE COLOR
E	HEAT SHRINK TUBE	1	Ø2.5x10L	BLACK COLOR
D	COPPER STOPPER	1	BRASS	N60u" min. Plating
C	CENTER CONTACT	1	BRASS	Au1u"min. Plating
B	INSULATOR	1	TEFLON-PTFE	WHITE COLOR
A	COPPER BODY	1	BRASS	N60u" min. Plating

UNLESS OTHERWISE SPECIFIED TOLERANCES

DECIMALS:	ANGLES:
X : ±0.5	X : ±2°
X.X : ±0.3	X.X : ±1°
X.XX : ±0.2	

Customer Copy

Singatron Enterprise Co., Ltd.
 信亨企業股份有限公司

Cable Assembly(F+EP)

REV: 2011.12.23
 PART NO. 2RF1010-015000

SCALE 2:1 UNIT: mm
 SHEET: 1 OF 1 REV: C