

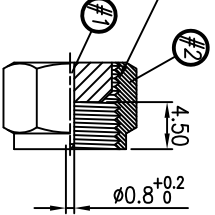
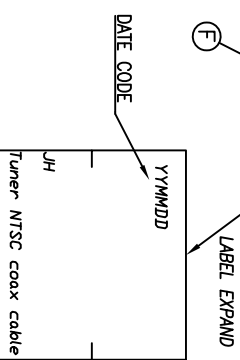
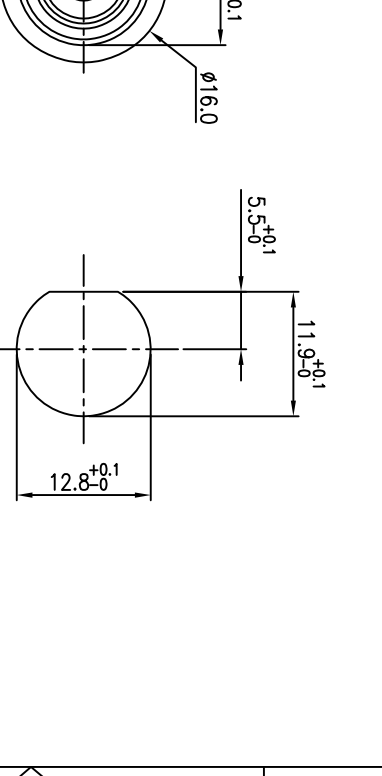
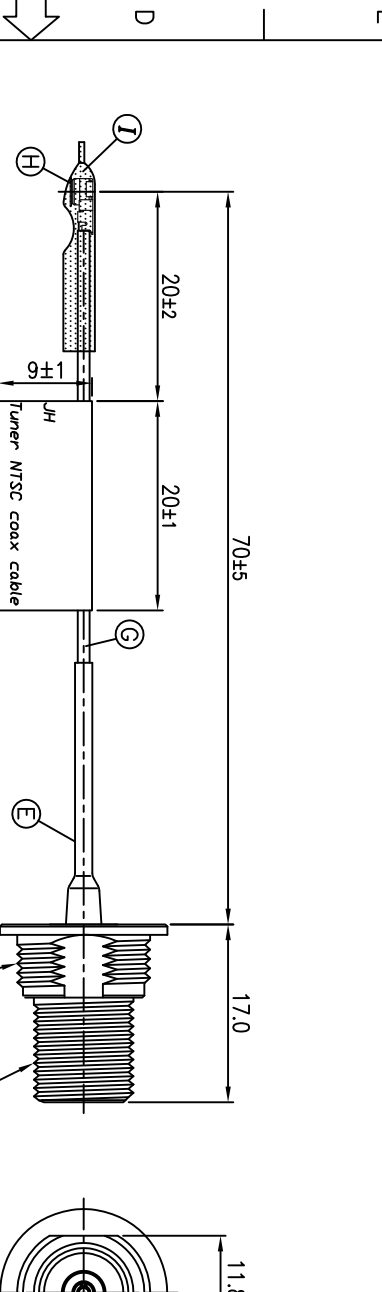
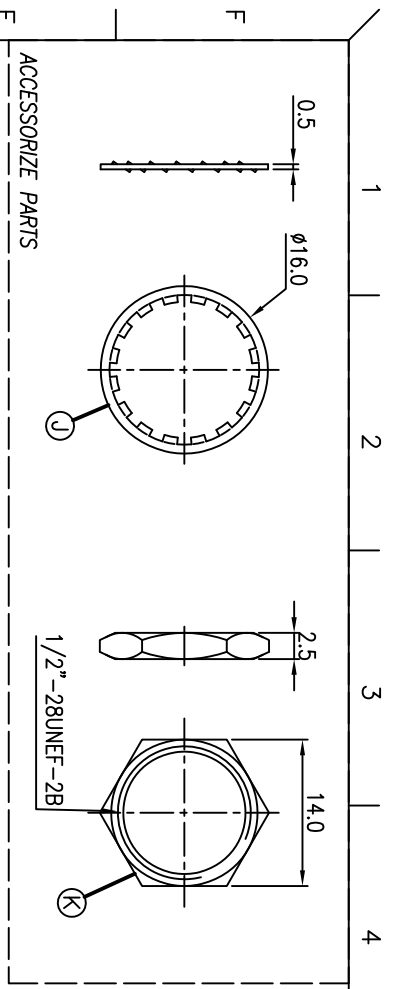
REV/ECN	NO OR DESCRIPTION	REVISED	DATE
A	PRODUCT RELEASE	BERYL	2010.07.30
B	ECN NO.T100017	BERYL	2011.03.28
C	ECN NO.T1100061	BERYL	2011.12.23

**PART NO.**  
**2RF1010-015002**

**SERIAL NO.**

TYPE 1: \_\_\_\_\_  
TYPE 2: \_\_\_\_\_

ASSEMBLY:  
0: STD JACK  
50: FOR CABLE+PANEL  
1: STRAIGHT 75Ω



- SPECIFICATIONS: (RF CONN. F TYPE)**
1. IMPEDANCE : 75 Ω for NTSC NOMINAL
  2. FREQUENCY RANGE : 0~2 GHz
  3. TEMPERATURE RANGE : -55~+125 °C
  4. VSWR : 1.5 (Max.)
  5. INSERTION LOSS : 0.5 dB AT 1 GHz (100% TEST)
  6. OTHER GENERAL SPEC. TO REFER "2RF1010-0150XX SPEC."
  7. TO CONFORM TO THE EU ROHS DIRECTIVE.
  8. PRODUCT IDENTIFICATION LABEL ON PACKAGING: **RoHS**

Contact Pin Definition

PIN	FUNCTION
#1	Signal
#2	Ground

NO	DESCRIPTION	QTY	MATERIAL	PLATING & COLOR
K	NUT	1	ZINC ALLOY	N60u" min. Plating
J	WASHER	1	SPCC 0.5t	N60u" min. Plating
I	EP PROTECT TUBE	1	Ø3.0x20L	TRANSPARENT COLOR
H	Micro Coaxial Conn.	1	(50 ohm)Brass	GOLD PLATING
G	WIRE (75 ohm)	1	Ø1.37 Coaxial Cable	BLACK COLOR
F	LABEL	1	20x18 /A	WHITE COLOR
E	HEAT SHRINK TUBE	1	Ø2.5x25L	BLACK COLOR
D	COPPER STOPPER	1	Brass	N60u" min. Plating
C	CENTER CONTACT	1	Brass	Au1u" min. Plating
B	INSULATOR	1	Teflon-PTFE	WHITE COLOR
A	COPPER BODY	1	Brass	N60u" min. Plating

UNLESS OTHERWISE SPECIFIED TOLERANCES

DECIMALS: ANGLES: X: ±0.5 X: ±2° X.X: ±0.3 X.X: ±1' X.XX: ±0.2

Singtron Enterprise Co., Ltd.  
信音企業股份有限公司

Part No. 2RF1010-015002

SCALE 2:1 UNIT: mm

SHEET: 1 OF 1 REV: C

CUSTOMER COPY