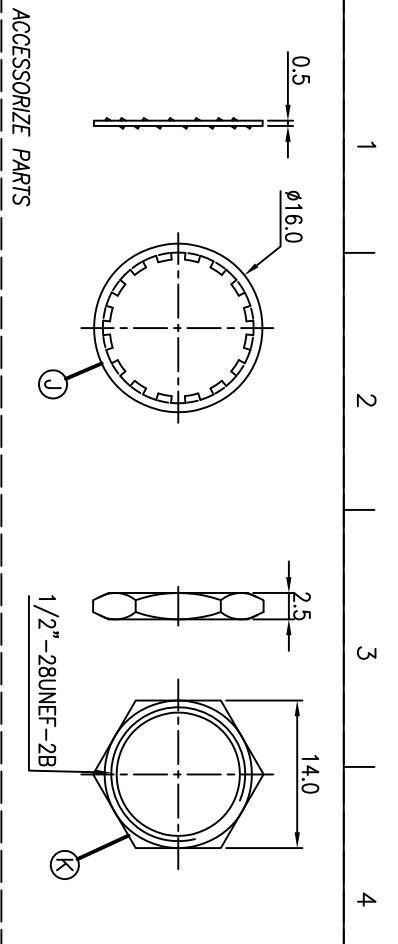
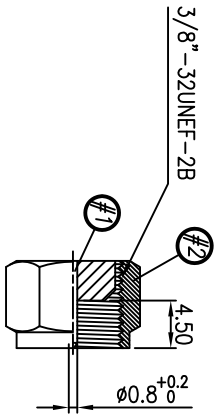
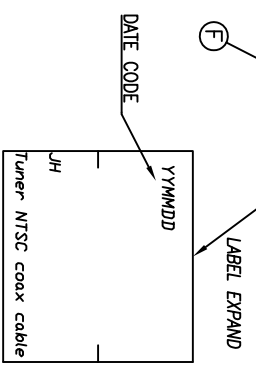
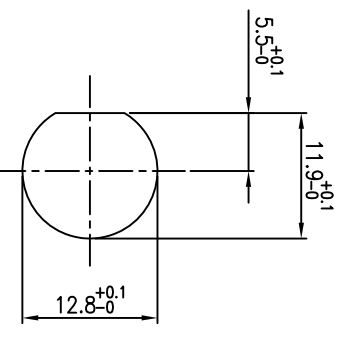
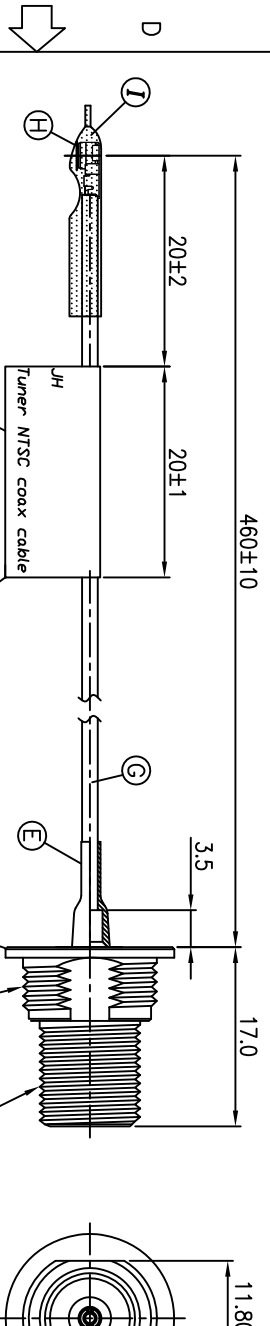


REV.	ECN NO OR DESCRIPTION	REVISED	DATE
A	PRODUCT RELEASE	BERYL	2010.08.27
B	ECN NO.T110061	BERYL	2011.12.23



PART NO.
2RF1010-015003

SERIAL NO.
ASSEMBLY:
0: STD JACK
50: FOR CABLE+PANEL
TYPE 1:
TYPE 2:
1: STRAIGHT 75Ω



- SPECIFICATIONS: (RF CONN. F TYPE)**
1. IMPEDANCE : 75 Ω for NTSC NOMINAL
 2. FREQUENCY RANGE : 0~2 GHz
 3. TEMPERATURE RANGE : -55~+125 °C
 4. VSWR : 1.5 (Max.)
 5. INSERTION LOSS : 0.5 dB AT 1 GHz (100% TEST)
 6. OTHER GENERAL SPEC. TO REFER "2RF1010-0150XX SPEC".
 7. TO CONFORM TO THE EU ROHS DIRECTIVE.
 8. PRODUCT IDENTIFICATION LABEL ON PACKAGING: **RoHS**

Contact Pin Definition

PIN	FUNCTION
#1	Signal
#2	Ground

NO	DESCRIPTION	QTY	MATERIAL	PLATING & COLOR
K	NUT	1	BRASS	N60u" min. Plating
J	WASHER	1	BRASS	N60u" min. Plating
I	EP PROTECT TUBE	1	Ø3.0x20L	TRANSPARENT COLOR
H	Micro Coaxial Conn.	1	(50 ohm)BRASS	GOLD PLATING
G	WIRE (75 ohm)	1	Ø1.48 Coaxial Cable	BROWN COLOR
F	LABEL	1	20x18 /B	WHITE COLOR
E	HEAT SHRINK TUBE	1	Ø2.5x10L	BLACK COLOR
D	COPPER STOPPER	1	BRASS	N60u" min. Plating
C	CENTER CONTACT	1	BRASS	Au1u"min. Plating
B	INSULATOR	1	TEFLON-PIFE	WHITE COLOR
A	COPPER BODY	1	BRASS	N60u" min. Plating

UNLESS OTHERWISE SPECIFIED TOLERANCES

Singaton Enterprise Co., Ltd.
信音企業股份有限公司

DECIMALS:	ANGLES:	TITLE
X : ±0.5	X : ±2°	Cable Assembly(F+EP)
X.X : ±0.3	X.X : ±1'	DWN BERE 2011.12.23 PART NO.2RF1010-015003
X.XX : ±0.2		CHKD SCALE 2:1 UNIT: mm
		APVD ANREA 2011.12.23 SIZE: A3 SHEET: 1 OF 1 REV: B

CUSTOMER COPY