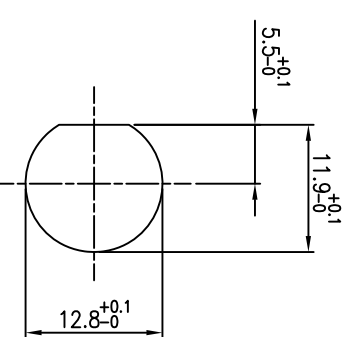
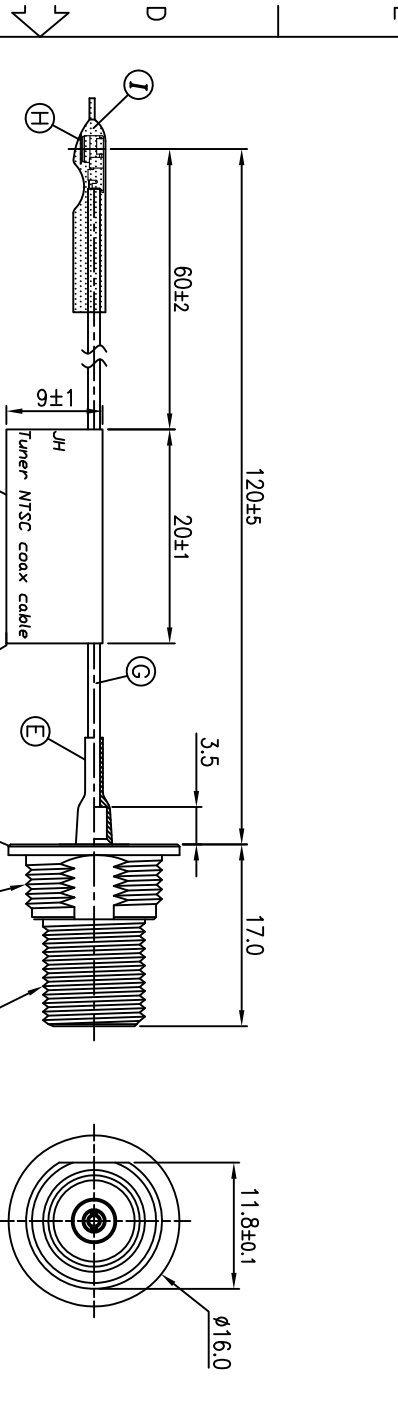


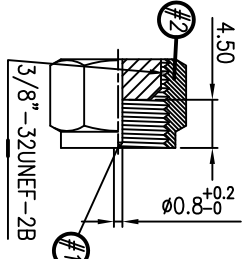
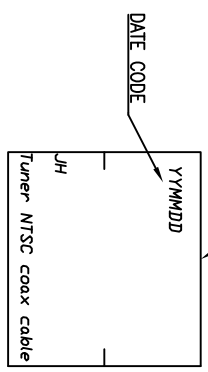
PART NO.
2RF1010-015006

TYPE 1: STD JACK
TYPE 2: STRAIGHT 75Ω

SERIAL NO.
ASSEMBLY:
50: FOR CABLE+PANEL



RECOMMENDED MOUNTING HOLE

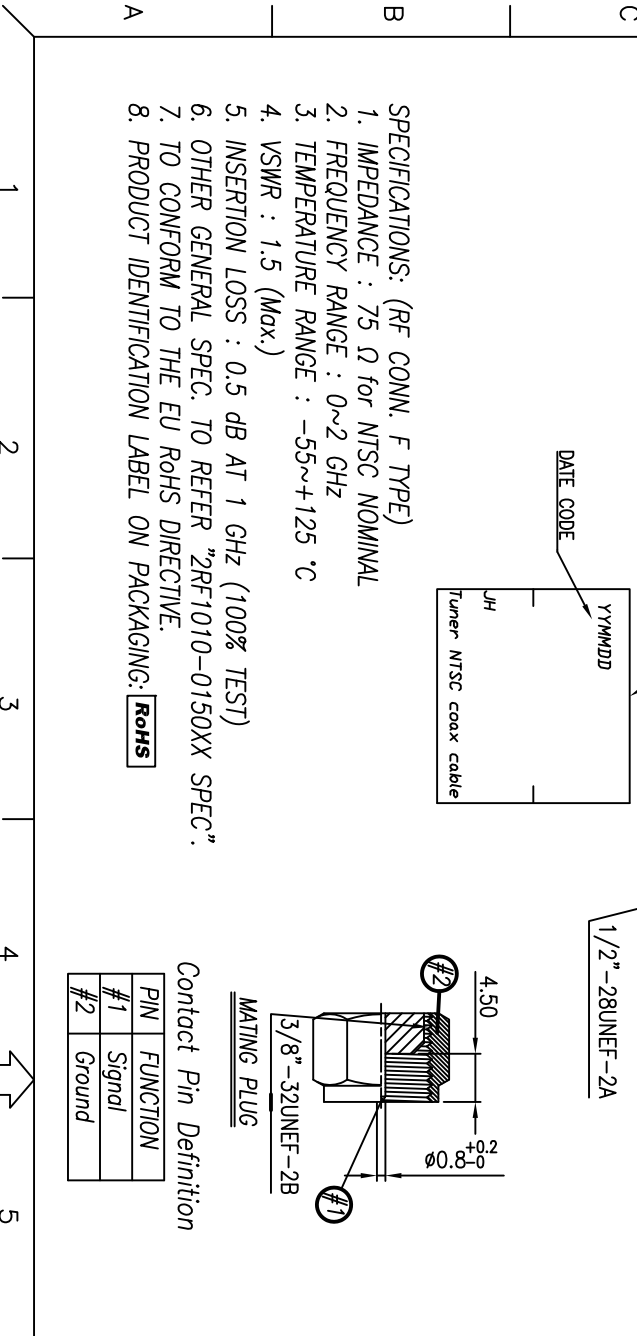


MATING PLUG

Contact Pin Definition

PIN	FUNCTION
#1	Signal
#2	Ground

- SPECIFICATIONS: (RF CONN. F TYPE)**
1. IMPEDANCE : 75 Ω for NTSC NOMINAL
 2. FREQUENCY RANGE : 0~2 GHz
 3. TEMPERATURE RANGE : -55~+125 °C
 4. VSWR : 1.5 (Max.)
 5. INSERTION LOSS : 0.5 dB AT 1 GHz (100% TEST)
 6. OTHER GENERAL SPEC. TO REFER "2RF1010-0150XX SPEC".
 7. TO CONFORM TO THE EU RoHS DIRECTIVE.
 8. PRODUCT IDENTIFICATION LABEL ON PACKAGING: **RoHS**



K	NUT	1	BRASS	Ni60u" min. Plating
J	WASHER	1	BRASS	Ni60u" min. Plating
I	EP PROTECT TUBE	1	Ø3.0x20L	TRANSPARENT COLOR
H	Micro Coaxial Conn.	1	(50 ohm)BRASS	GOLD PLATING
G	WIRE (75 ohm)	1	Ø1.37 Coaxial Cable	BLACK COLOR
F	LABEL	1	20x18 △	WHITE COLOR
E	HEAT SHRINK TUBE	1	Ø2.5x10L	BLACK COLOR
D	COPPER STOPPER	1	BRASS	Ni60u" min. Plating
C	CENTER CONTACT	1	BRASS	Au1u"min. Plating
B	INSULATOR	1	TEFLON-PDTE	WHITE COLOR
A	COPPER BODY	1	BRASS	Ni60u" min. Plating
NO	DESCRIPTION	QTY	MATERIAL	PLATING & COLOR

UNLESS OTHERWISE SPECIFIED TOLERANCES

DECIMALS: ANGLES:

X	:±0.5	X	:±2°
X.X	:±0.3	X.X	:±1°
X.XX	:±0.2		

Singatron Enterprise Co., Ltd.
信音企業股份有限公司

Cable Assembly(F+EP)

DMW	REV. 2011.12.23	PART NO.	2RF1010-015006
CHKD		SCALE	2:1
APVD	ANGELA 2011.12.23	SIZE	A3
		SHEET:	1 OF 1
		REV:	B

CUSTOMER COPY

REV	ECN NO OR DESCRIPTION	REVISED	DATE
A	PRODUCT RELEASE	BERYL	2010.08.03
B	ECN NO. T110061	BERYL	2011.12.23