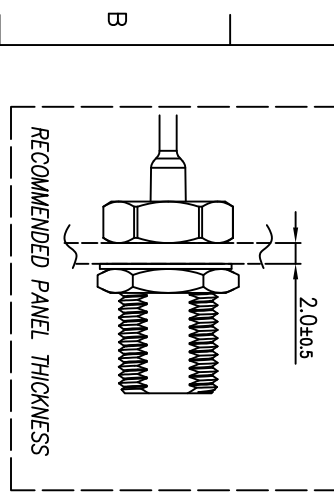
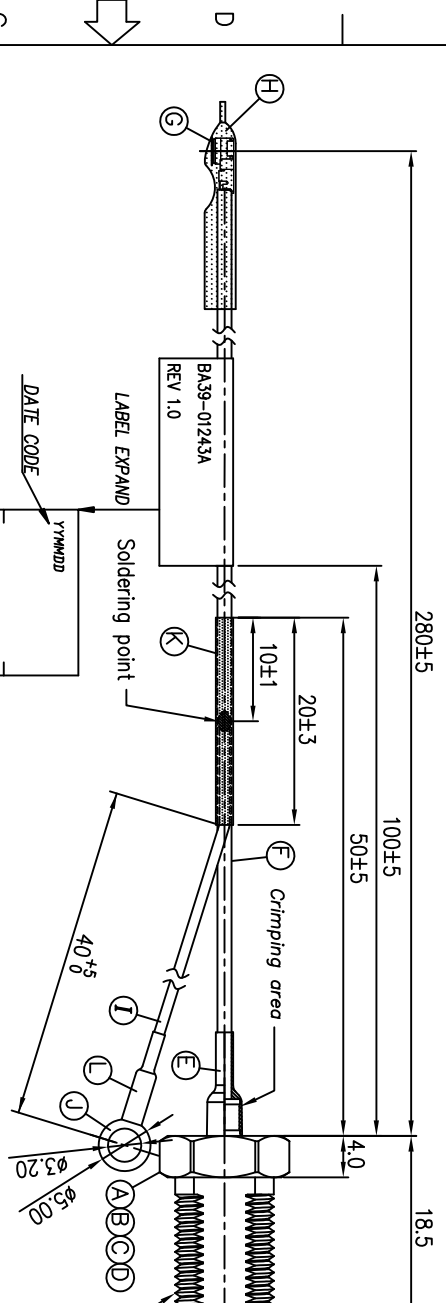


**PART NO.:**  
**2RF1010-015011F**

NO.:	STATEMENT
0	Hold Back
1	STRAIGHT 75Ω
5	ASSEMBLY FOR CABLE+PANEL
0	JACK
11	SERIES NO.
F	HALOGEN FREE

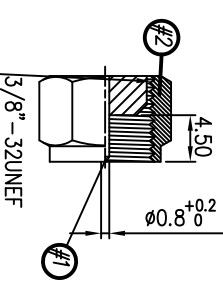


**SPECIFICATIONS:**  
 1. IMPEDANCE : 75 Ω for NTSC NOMINAL  
 2. FREQUENCY RANGE : 0~1 GHz  
 3. OTHER GENERAL SPEC. TO REFER "2RF1010-015008F SPEC."  
 4. TO CONFORM TO THE SINGATRON HSF SPEC.  
 5. PRODUCT IDENTIFICATION LABEL ON PACKAGING:



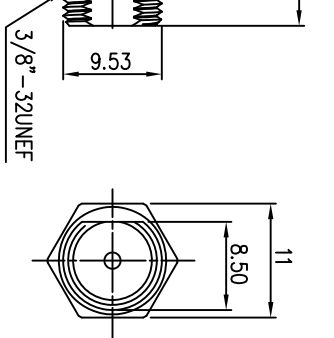
**MATING JACK FOR PCB**  
(SCALE 8:1)

Contact Pin Definition	
#1	Signal
#2	Ground



**MATING PLUG**

Contact Pin Definition	
#1	Signal
#2	Ground



0	NUT	1	BRASS	NICKEL PLATING
N	WASHER	1	BRASS 0.5t	NICKEL PLATING
M	LABEL	1	20x18mm	WHITE COLOR
L	HEAT SHRINK TUBE	1	φ2.5x10L	BLACK COLOR
K	HEAT SHRINK TUBE	1	φ2.5x20L	BLACK COLOR
J	O-TERMINAL	1	OD: 5 ; ID: 3.2	MAAT. TIN PLATING
I	WIRE	1	UL10368 26AWG	BLACK COLOR
H	PROTECT TUBE	1	φ3.0x20L	TRANSPARENT COLOR
G	Micro Coaxial Conn.	1	BRASS	GOLD PLATING
F	WIRE	1	φ1.37 Coaxial Cable	GRAY COLOR
E	HEAT SHRINK TUBE	1	φ2.5x10L	BLACK COLOR
D	COPPER STOPPER	1	BRASS	NICKEL PLATING
C	CENTER CONTACT	1	BRASS	NICKEL PLATING
B	INSULATOR	1	TEFLON	WHITE COLOR
A	COPPER BODY	1	BRASS	NICKEL PLATING
NO	DESCRIPTION	QTY	MATERIAL	PLATING & COLOR

UNLESS OTHERWISE SPECIFIED TOLERANCES

DECIMALS:	ANGLES:
X :±0.5	X :±2°
X.X :±0.3	X.X :±1°
X.XX :±0.2	

**信音企業股份有限公司**  
Singatron Enterprise Co., Ltd.

**Cable Assembly(F)**

DWG	2RF1010	PART NO. 2RF1010-015011F
CHKD	SCALE 2:1	UNIT: mm
APVD	DATE: 2013.6.7	SIZE: A3 SHEET: 1 OF 1 REV: C

**CUSTOMER COPY**

REV	ECN NO	OR DESCRIPTION	REVISED	DATE
A	PDR NO. TT20110-5A	PRODUCT RELEASE	BERYL	2012.04.24
B	ECN NO. TT20055		BERYL	2012.05.11
C	ECN NO. TT30032		JEFF	2013.06.07