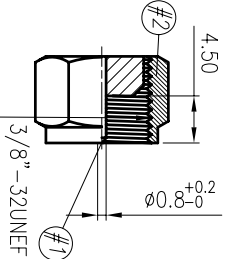
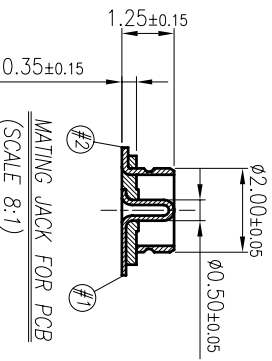
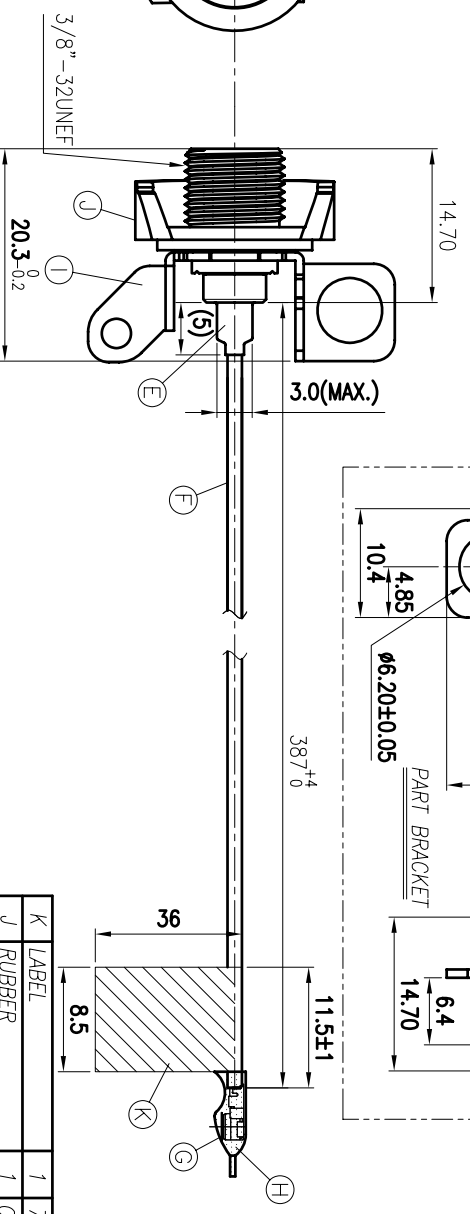
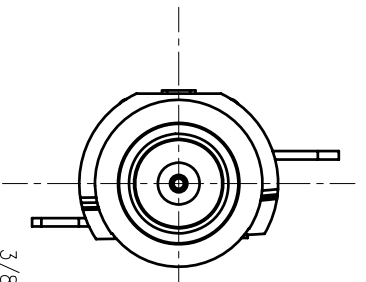
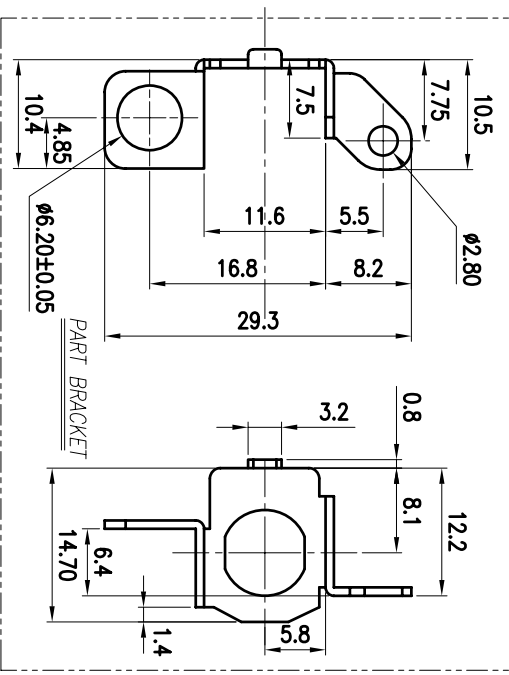
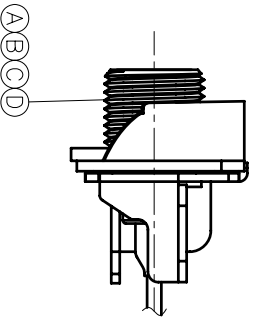
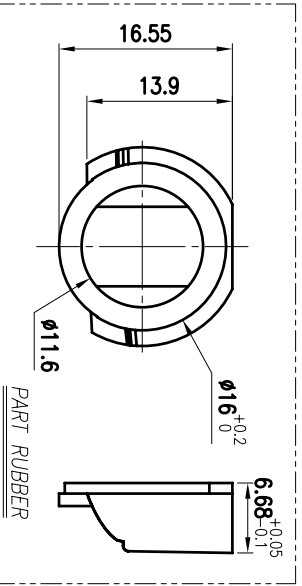


PART NO.:
2RF1010-015016H

NO.	STATEMENT
0	Hold Back
1	STRAIGHT-75Ω
5	ASSEMBLY FOR CABLE+PANEL
0	JACK
16	SERIES NO.
H	HALOGEN



MATING PLUG



Contact Pin Definition

PIN	FUNCTION
#1	Signal
#2	Ground

- SPECIFICATIONS: (TYPE F)
1. IMPEDANCE: 75 Ω for NTSC NORMAL
 2. FREQUENCY RANGE: 0~2 GHz
 3. OTHER GENERAL SPEC. TO REFER "2RF1010-X150XXH SPEC".
 4. TO CONFORM TO THE EU ROHS DIRECTIVE.
 5. PRODUCT IDENTIFICATION LABEL ON PACKAGING: **RoHS**

MATING JACK FOR PCB
(SCALE 8:1)

Contact Pin Definition

PIN	FUNCTION
#1	Signal
#2	Ground

REV.	ECN NO. OR DESCRIPTION	REVISED	DATE
A	PDR NO.:T120423-1B PRODUCT RELEASE	JEFF	2012.06.13

K	LABEL	1	72x8.5	WHITE COLOR
J	RUBBER	1	CHLOROPRENE	BLACK COLOR
I	BRACKET	1	SPCC 0.8T	NICKEL PLATING
H	PROTECT TUBE	1	Ø3.0	TRANSPARENT COLOR
G	MIRCO COAXIAL CONN.	1	COPPER ALLOY	GOLD PLATING
F	WIRE	1	Ø1.37 COAXIAL CABLE	BLACK COLOR
E	HEAT SHRINK TUBE	1	Ø3x5L	BLACK COLOR
D	COPPER STOPPER	1	BRASS	NICKEL PLATING
C	CENTER CONTACT	1	BRASS	GOLD FLASH
B	INSULATOR	1	TEFLON	WHITE COLOR
A	COPPER BODY	1	BRASS	NICKEL PLATING
NO	DESCRIPTION	QTY	MATERIAL	PLATING & COLOR

UNLESS OTHERWISE SPECIFIED TOLERANCES:

DECIMALS:	ANGLES:
X : ±0.5	X : ±2°
X.X : ±0.3	X.X : ±1'
X.XX : ±0.2	

Singatron Enterprise Co., Ltd.
信音企業股份有限公司

Cable Assembly (P)

PART NO. 2RF1010-015016H

SCALE 2:1

UNIT: mm

SIZE: A3

SHEET: 1 OF 1

REV: A

CUSTOMER COPY