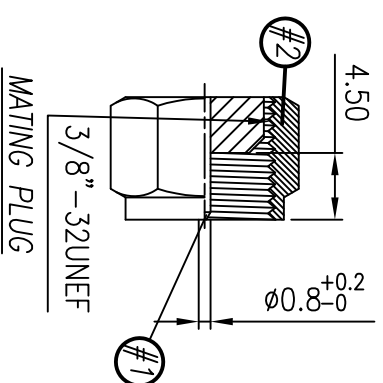
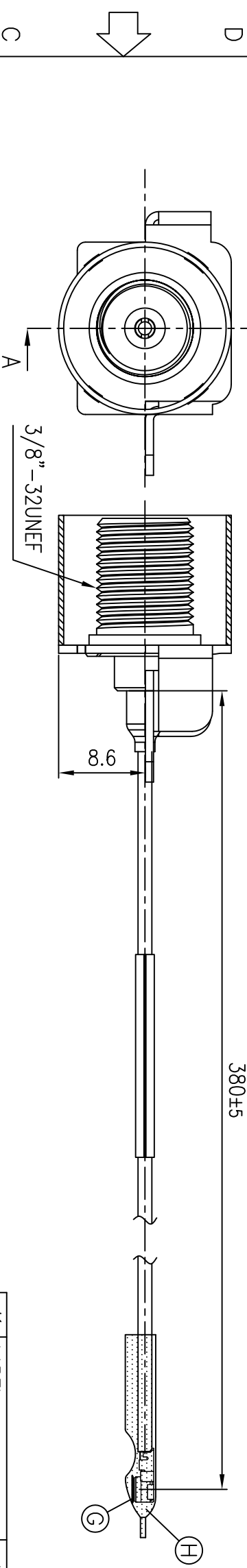
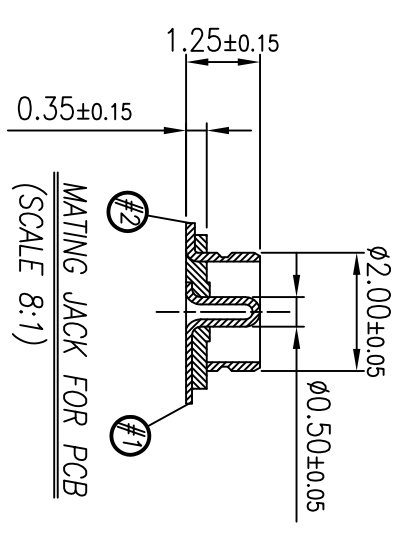
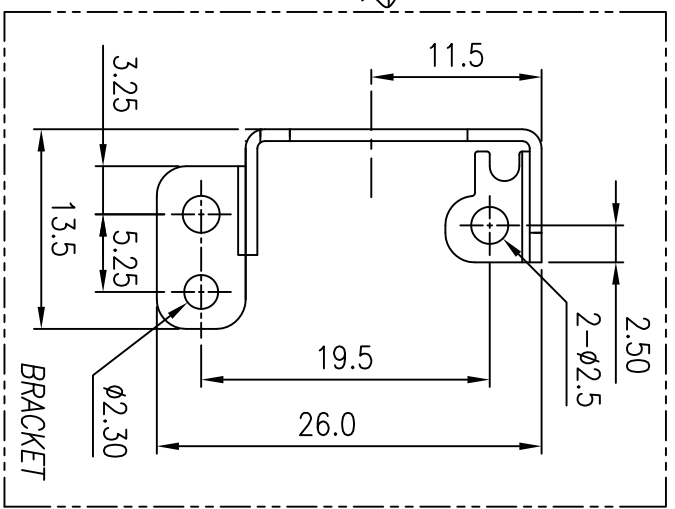
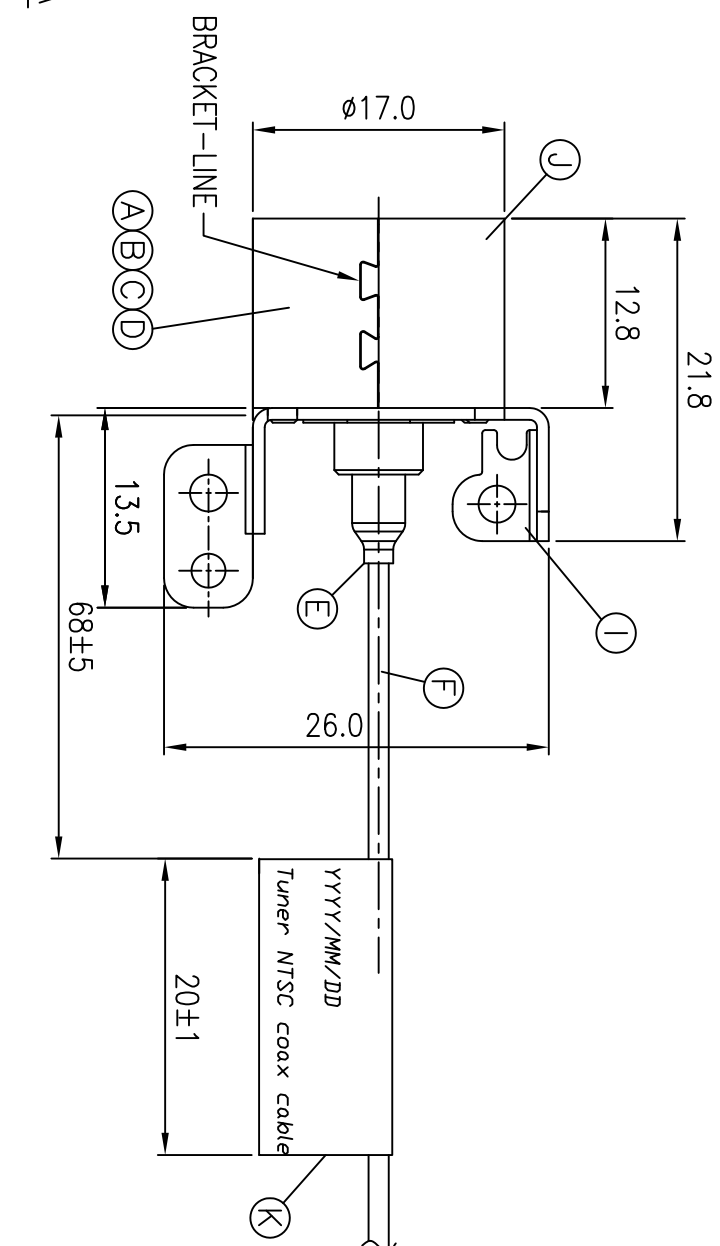


**PART NO.:**

**2RF1010-015017F**

NO.:	STATEMENT
0	Hold Back
1	STRAIGHT 75Ω
5	ASSEMBLY FOR CABLE+PANEL
0	JACK
17	SERIES NO.
F	HALOGEN FREE



CONTACT PIN DEFINITION

PIN	FUNCTION
#1	Signal
#2	Ground

CONTACT PIN DEFINITION

PIN	FUNCTION
#1	Signal
#2	Ground

CONTACT PIN DEFINITION

SPECIFICATIONS:

1. IMPEDANCE : 75 Ω for NTSC NORMAL
2. FREQUENCY RANGE : 0~1 GHz
3. OTHER GENERAL SPEC. TO REFER "2RF1010-015010F SPEC".
4. TO CONFORM TO THE SINGATRON HSF SPEC.
5. PRODUCT IDENTIFICATION LABEL ON PACKAGING:



REV.	ECN NO OR DESCRIPTION	REVISED	DATE
A	PDR NO.T121030-7A PRODUCT RELEASE	JEFF	2013.03.19

K	LABEL	1	20x18mm	WHITE COLOR
J	BRACKET COVER	1	SPCC 0.5t	NICKEL PLATING
I	BRACKET	1	SPCC 0.8t	NICKEL PLATING
H	PROTECT TUBE	1	φ3.0x20L	TRANSPARENT COLOR
G	MIRCO COAXIAL CONN.	1	BRASS	GOLD PLATING
F	WIRE	1	φ1.37 COAXIAL CABLE	GRAY COLOR
E	HEAT SHRINK TUBE	1	φ3x6L	BLACK COLOR
D	COPPER ALLOY	1	BRASS	NICKEL PLATING
C	CENTER CONTACT	1	BRASS	NICKEL PLATING
B	INSULATOR	1	TEFLON_HF	WHITE COLOR
A	COPPER BODY	1	BRASS	NICKEL PLATING
NO	DESCRIPTION	QTY	MATERIAL	PLATING & COLOR

UNLESS OTHERWISE SPECIFIED TOLERANCES

DECIMALS: ANGLES:

X :±0.5 X :±2°

X.X :±0.3 X.X :±1°

X.XX :±0.2

Singatron Enterprise Co., Ltd.  
信音企業股份有限公司

Cable Assembly(F)

JEFF 2013.3.19 PART NO.2RF1010-015017F

CHKD SCALE 2:1 UNIT: mm

APVD ACHEUNG 2013.3.19 SIZE: A3 SHEET:1 OF 1 REV: A

CUSTOMER COPY